

Fig1

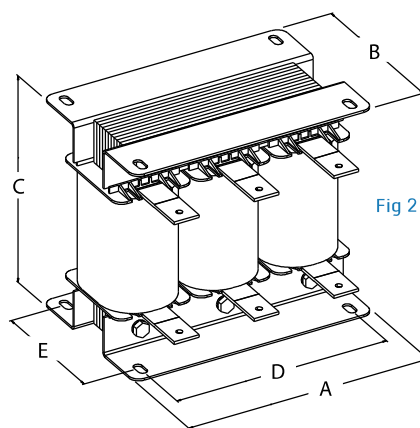


Fig 2



HARMONIC FILTER REACTOR: 400V - P=7% - 189Hz - 50Hz - LINEARITY > 1,73xI rms

Electrical data R3F-7

Technical data

CODE	RATED POWER	INDUCTANCE	I _l	I rms	LOSSES	DIMENSIONS (mm)					WEIGHT	TERMINAL	CLAMP SIZE	FIG
	KVAR					mH	A	A	W	A				
R3F-7-400-6,25	6,25	6,13	9,56	10,2	35	150	85	140	125	65	6	SCREW	2,5 sqmm	1
R3F-7-400-10	10	3,84	15,3	16,32	50	180	102	173	150	80	8	SCREW	6 sqmm	1
R3F-7-400-12,5	12,5	3,07	19,13	20,4	56	180	113	173	150	90	9	SCREW	6 sqmm	1
R3F-7-400-20	20	1,92	30,5	33,6	67	280	150	187	225	85	13	BUSBAR	M6 FLAT	2
R3F-7-400-25	25	1,53	38,3	40,8	78	280	160	187	225	95	17	BUSBAR	M6 FLAT	2
R3F-7-400-40	40	0,96	61,3	65,4	100	280	170	205	225	105	21	BUSBAR	M8 FLAT	2
R3F-7-400-50	50	0,77	76,6	81,7	120	280	195	205	225	120	26	BUSBAR	M8 FLAT	2

HARMONIC FILTER REACTOR: 400V - P=14% - 134Hz - 50Hz - LINEARITY > 1,37xI rms

Electrical data R3F-14

Technical data

CODE	RATED POWER	INDUCTANCE	I _l	I rms	LOSSES	DIMENSIONS (mm)					WEIGHT	TERMINAL	CLAMP SIZE	FIG
	KVAR					mH	A	A	W	A				
R3F-14-400-6,25	6,25	13,27	9,56	10,2	55	180	117	173	150	95	10	SCREW	6 sqmm	1
R3F-14-400-10	10	8,29	15,3	16,32	65	280	155	187	225	95	15	BUSBAR	M6 FLAT	2
R3F-14-400-12,5	12,5	6,63	19,13	20,4	78	280	155	187	225	95	17	BUSBAR	M6 FLAT	2
R3F-14-400-20	20	4,15	30,5	33,6	113	280	195	205	225	120	24	BUSBAR	M6 FLAT	2
R3F-14-400-25	25	3,32	38,3	40,8	117	280	200	205	225	125	27	BUSBAR	M6 FLAT	2
R3F-14-400-40	40	2,07	61,3	65,4	168	360	190	255	275	120	40	BUSBAR	M8 FLAT	2
R3F-14-400-50	50	1,66	76,6	81,7	182	360	200	255	275	130	46	BUSBAR	M8 FLAT	2