

# Bussmann series XL Battery storage fuse links

**Product description**

Eaton's Bussmann® series XL battery storage fuses are specifically designed to protect and isolate battery array combiners and disconnects. These fuse links are capable of interrupting low overcurrents associated with faulted battery storage systems (reverse current, multi-array fault).

**Standard features**

- Compact design
- Low power loss
- Bolted and bladed fixing variants
- Indicator feature
- Compatible with Bussmann series XL fuse bases (see data sheet 10685)

**Catalogue symbol**

- Knife blade fuse link:BSF-(amps)G-3XL15
- Bolted blade fuse link:BSF-(amps)G-3XL15-B

For example catalogue number **BSF-250G-3XL15** represents a **B**attery **S**torage **F**use, rated at **250 A**, **G** operating class gBat, **3XL** XL fuse body size, rated at **1500 V d.c.**, Knife blade

**Technical data**

- Rated voltage: 1500 V d.c.
- Rated current: 250 to 500 A
- Fuse body size: 3L
- Operating class: gBat proposed for full range fuse links for protection of battery storage systems
- Breaking capacity: 100 kA
- Time constant: 4.5 ms at 100 kA
- ROHS and Reach compliant

**Standards/Approvals**

- IEC 60269-7 for battery storage fuse links is under preparation (expected publication in 2021)

**Packaging**

- 1 in a pack

**Microswitches**

- For knife blade fuse links: 170H0236 or 170H0238
- For bolted fuse links: 170H0069

**Fuse bases for knife blades fuse links only:**

- SD3L-S-PV (up to 400 A only) see details on data sheet 10685

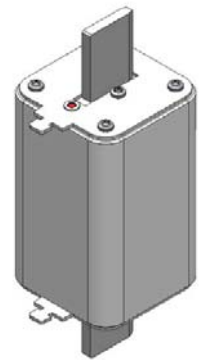
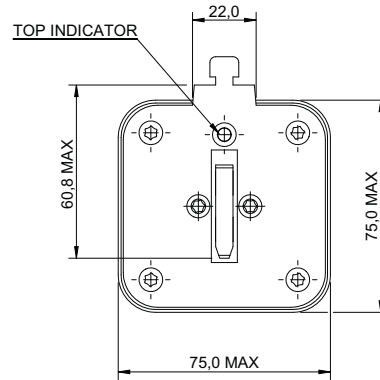
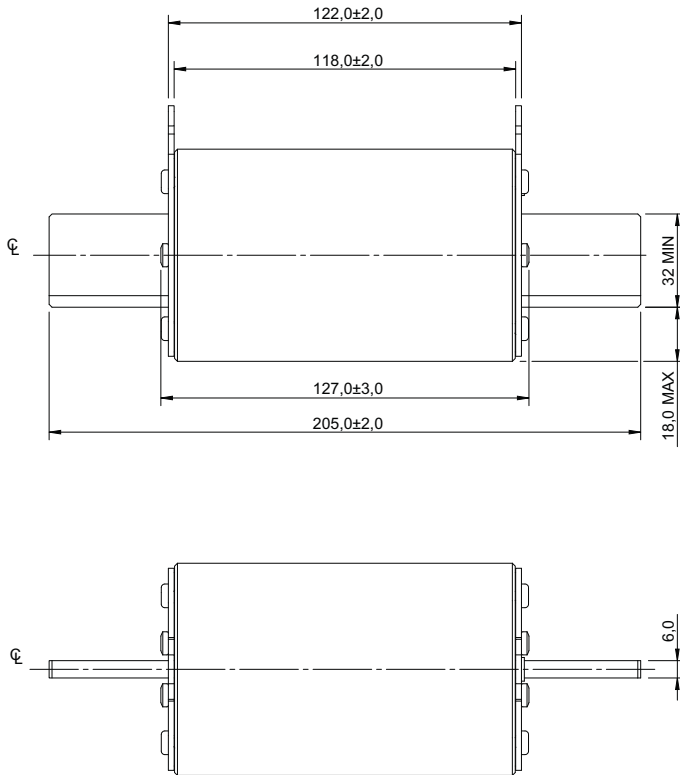
**Packaging**

- 1 in a pack

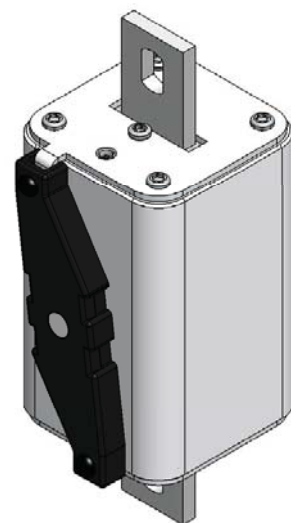
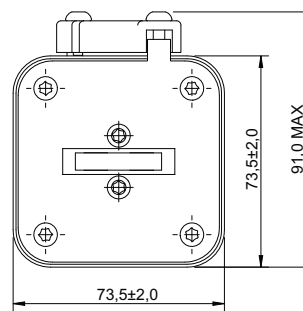
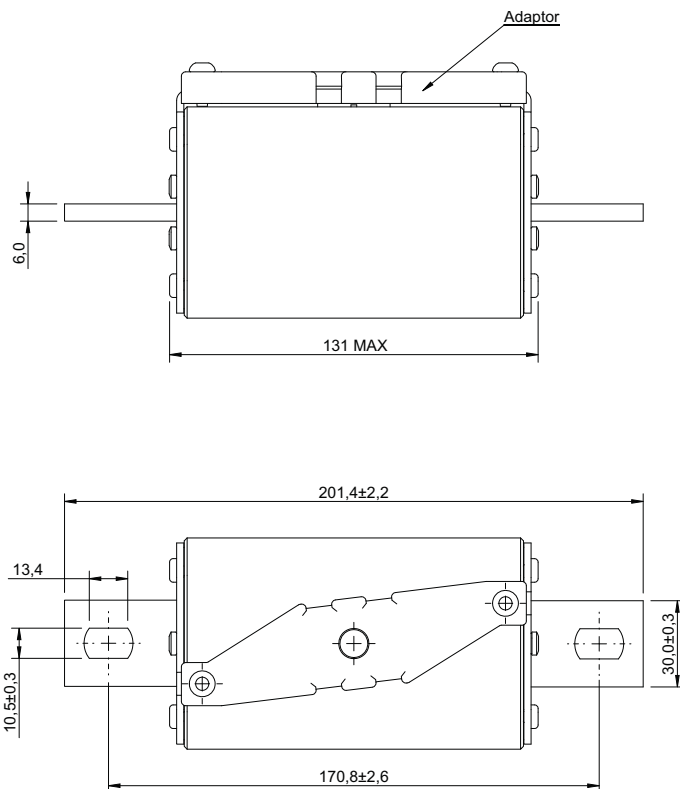
**Technical data**

Catalogue number with knife blade	Catalogue number with bolted blade	Fuse body size	Rated current (Amps)	Rated voltage (V d.c.)	Pre-arcing I <sup>2</sup> t	Total I <sup>2</sup> t @ 1500 V d.c.	Power loss at 0.7 x I <sub>n</sub> (W)	Power loss at I <sub>n</sub> (W)
BSF-250G-3XL15	BSF-250G-3XL15-B	3	250	1500	74,000	263,000	20	49
BSF-315G-3XL15	BSF-315G-3XL15-B	3	315	1500	150,000	533,000	21	52
BSF-355G-3XL15	BSF-355G-3XL15-B	3	355	1500	195,000	693,000	24	59
BSF-400G-3XL15	BSF-400G-3XL15-B	3	400	1500	296,000	1,060,000	24	61
BSF-450G-3XL15	BSF-450G-3XL15-B	3	450	1500	412,000	1,470,000	27	67
BSF-500G-3XL15	BSF-500G-3XL15-B	3	500	1500	532,000	1,890,000	29	73

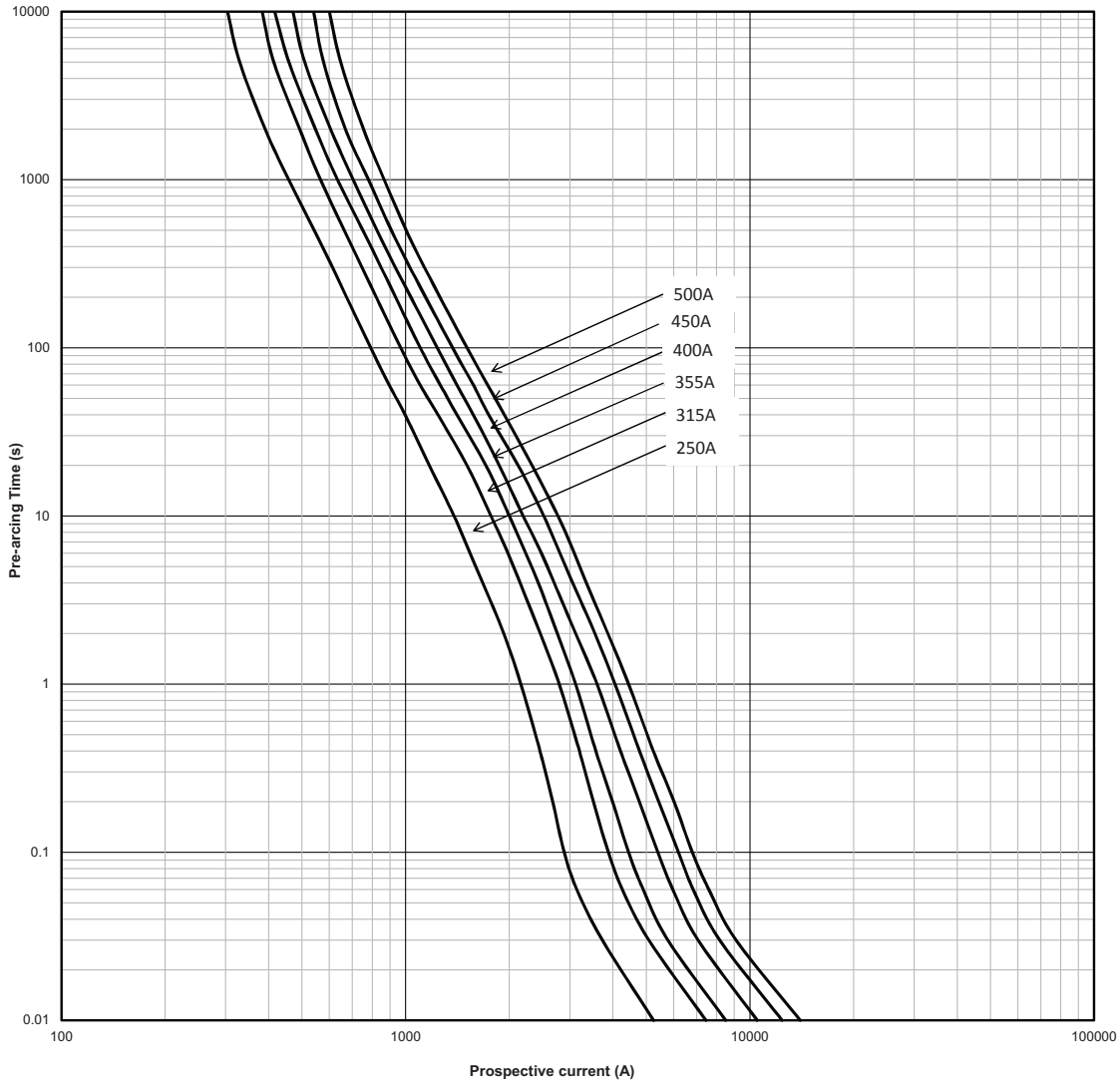
Outline drawing - 3L Bladed



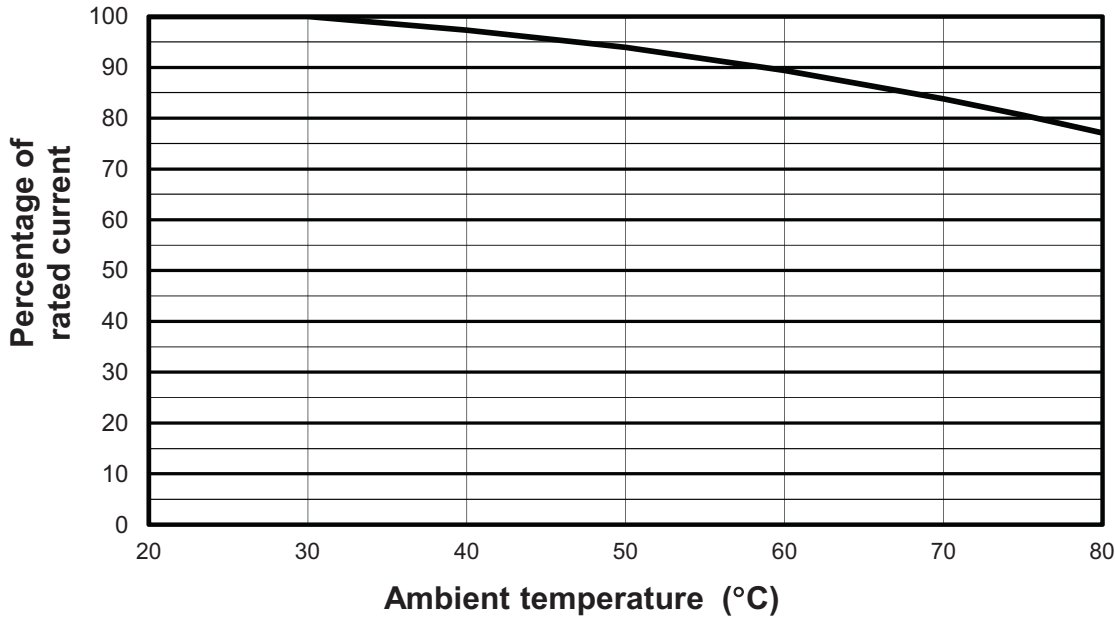
Outline drawing - 3L Bolted



Time-current curve



Temperature derating curve



(The ambient temperature is that local to the fuse link)

The only controlled copy of this data sheet is the electronic read-only version located on the Eaton network drive. All other copies of this document are by definition uncontrolled. This bulletin is intended to clearly present comprehensive product data and provide technical information that will help the end user with design applications. Eaton reserves the right, without notice, to change design or construction of any products and to discontinue or limit distribution of any products. Eaton also reserves the right to change or update, without notice, any technical information contained in this bulletin. Once a product has been selected, it should be tested by the user in all possible applications.

Changes to the products, to the information contained in this document, and to prices are reserved; so are errors and omissions. Only order confirmations and technical documentation by Eaton is binding. Photos and pictures also do not warrant a specific layout or functionality. Their use in whatever form is subject to prior approval by Eaton. The same applies to Trademarks (especially Eaton, Moeller, and Cutler-Hammer). The Terms and Conditions of Eaton apply, as referenced on Eaton Internet pages and Eaton order confirmations.

**Eaton**  
EMEA Headquarters  
Route de la Longeraie 7  
1110 Morges, Switzerland

Electrical Sector  
Eaton Electrical Products Limited  
Unit 1, Hawker Business Park  
Melton Road, Burton-on-the-Wolds  
LE12 5TH, UK  
Eaton.com

© 2020 Eaton  
All Rights Reserved  
PDF Only  
Publication No. 135002  
March 2020