



**RECTIFIERS**

*The Custom Power Specialist*

## SPRING BAR CLAMPS – SBC146SV series

### DESCRIPTION

GD Rectifiers Ltd produce a range of large disc cell clamping devices, specially developed for double side applications of commonly used press pack semiconductors.

Materials and components used in the manufacturing of these clamps are carefully selected and quality controlled, to ensure the compliance with the requested specifications.

SBC series are normally supplied with a specific preset clamping force, to allow an easy and accurate clamping with no special tools.

The user should specify Clamping force (kN), & Pack height total.

### HOW TO ORDER

SBC146SV – (Y) – (Z), Where Y = the calibration force (kN), And Z, the Pack height (mm).

e.g. SBC146SV –50–70

### TECHNICAL CHARACTERISTICS (Dwg 010018HV)

Dimensions see figures below, Clamping forces 45kN, 50kN, 60Kn, 70Kn & 80kN  $\pm$  10%

Applications require rigid heatsink or base for mounting.

Insulation Material Ceramic, UL94 V-0

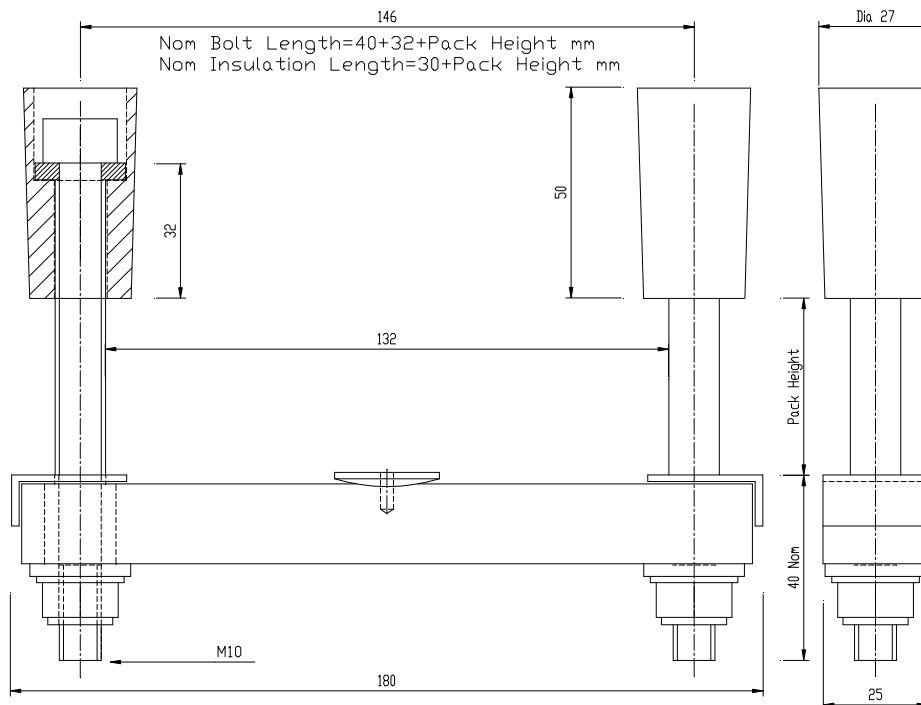
Operating Temp. Range -55°C - +175°C. Storage -55°C - +175°C.

Insulation Voltage 6kVrms 1 min, 50Hz.

Semiconductor Diameter = 132mm max. Semiconductor Thickness 14 to 40mm typ.

Weight SBC146SV=1300g approx. Fixing Screws supplied with Clamp.

Special designs are available on request; please contact GD Rectifiers Ltd for details.



**GD Rectifiers Ltd** Bentley House, 2 William Way, Burgess Hill, West Sussex RH15 9AG

Tel: 01444 243452 Fax: 01444 870722 E-Mail: [enquiries@gdrectifiers.co.uk](mailto:enquiries@gdrectifiers.co.uk)