



T3T up to 80 KVA



T3T 81-1000 KVA



#### General data

Rated input voltage	up to 1000 V
Rated output voltage	up to 1000 V
Rated power	41 to 1000 kVA
Insulation class	class F / H
Temperature class	class F / H

Ambient temperature	Ta=40°C
Protection degree	IP 00
Standard vector group	Dyn11 (others upon request)
Test voltage	3 KV/1'
Terminals	terminal blocks or bars

#### Application:

Three-phase transformers suitable for any industrial application where it is required the isolation or voltage variation between the load and the net. Construction in accordance with the following standards:

#### Standard

CEI-EN 60076

IEC 60076

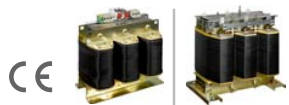
#### Upon request:

The transformers could be customized with:

- different voltages
- regulations
- taps on primary or secondary
- different enclosures
- wheels for movement
- vibration absorbers
- electrostatic screen between primary and secondary
- temperature control unit with 3PT100 probes inserted



STEEL ENCLOSURE for three-phase transformers pag. 40



## Technical data T3T

CODE	RATED POWER	INSULATION CLASS	DIMENSIONS (mm)					WEIGHT Kg	FIG	BOX
	KVA		A	B	C	D	E			
T3T-50...	50	F	600	350	600	540	250	220	1	...-5
T3T-60...	60	F	600	360	600	540	260	230	1	...-5
T3T-80...	80	F	600	390	600	540	290	280	1	...-5
T3T-100...	100	F	600	420	600	540	320	330	2	...-5
T3T-125...	125	F	720	420	740	660	300	390	2	...-6
T3T-160...	160	F	720	460	740	660	340	510	2	...-6
T3T-200...	200	F	720	480	740	660	360	570	2	...-6
T3T-250	250	F	720	510	740	660	380	660	2	...-6
T3T-315	315	F	720	550	740	660	430	780	2	...-6
T3T-400	400	F	960	630	920	-	-	1090	2	...-7
T3T-500	500	F	960	680	920	-	-	1335	2	...-7
T3T-630	630	F	960	730	920	-	-	1575	2	...-7
T3T-800...	800	F	1080	650	1190	-	-	1670	2	...-8
T3T-1000...	1000	F	1080	700	1190	-	-	2020	2	...-8

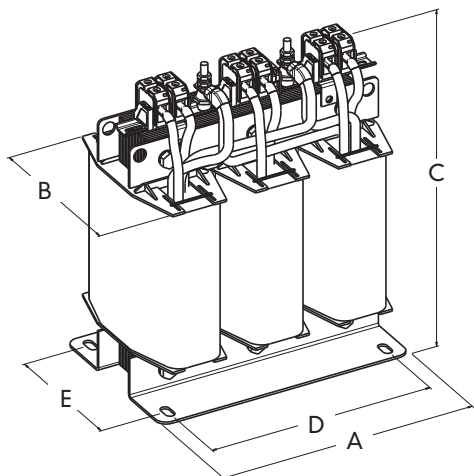


Fig. 1

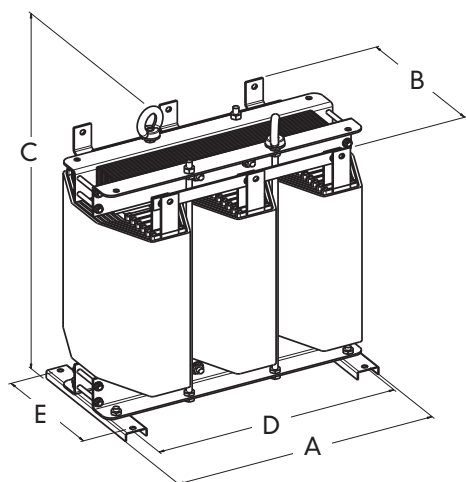


Fig. 2

## Electrical data

RATED POWER	LOSSES (W)			EFFICIENCY	Ucc %			INRUSH CURRENT
	KVA	no-load	load (75°C)		total	%	Ucc X	
50	245	1300	1545	97	4,32	2,6	5,05	18
60	265	1600	1865	96,99	4,4	2,67	5,15	15
80	340	1900	2240	97,28	4,39	2,38	5	15
100	430	2200	2630	97,44	3,75	2,2	4,35	16
125	400	2400	2800	97,81	4,23	1,92	4,65	14
160	520	2800	3320	97,97	3,03	1,75	3,5	14
200	560	3100	3660	98,2	3,46	1,55	3,8	14
250	670	3500	4170	98,36	3,47	1,4	3,75	13
315	840	4000	4840	98,49	3,52	1,27	3,75	14
400	1120	5060	6180	98,5	6,37	1,27	6,5	15
500	1340	5565	6905	98,6	5,34	1,12	5,5	15
630	1650	6780	8430	98,7	4,86	1,08	5	16
800	1760	9150	10910	98,8	5,56	1,15	5,7	8
1000	2100	9250	11350	98,9	4,79	0,93	4,9	8