



T3TFTV UP TO 60 Kva



T3TFTV 61-250 Kva



General data

Standard input voltage	400 V
Standard output voltage	400 V
Rated power	from 10 to 250 kVA
Insulation class	class F-H
Temperature class	class B
Standard ambient temperature	Ta=40°C

Protection degree	IP 00
Standard vector group	YNyn0 (others upon request)
Test voltage	3 KV/1'
Terminals	terminal blocks or bars
Terminals	terminal blocks or bars

Application:

Three-phase transformers with low losses and high performance suitable for galvanic separation in photovoltaic plants or other renewable energies. Construction is accordance with the following standards:

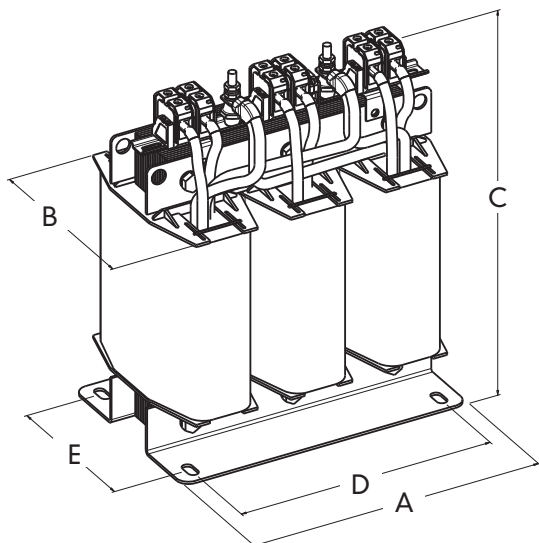
Standard

CEI-EN 60076

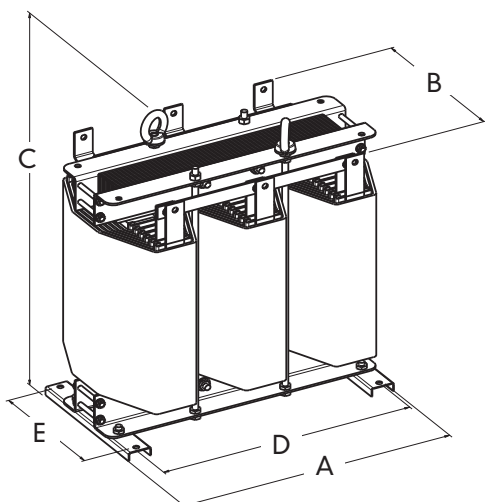
IEC 60076



STEEL ENCLOSURE for three-phase transformers pag. 40



T3TFTV UP TO 60 Kva



T3TFTV 61-250 Kva

Technical data T3TFTV UP TO 60 Kva

CODE	RATED POWER	INSULATION CLASS	DIMENSIONS (mm)					WEIGHT Kg	BOX
	KVA		A	B	C	D	E		
T3TFTV-10	10	B	420	210	390	375	160	90	...-3
T3TFTV-15	15	B	420	240	390	375	190	120	...-3
T3TFTV-20	20	B	480	260	450	440	200	140	...-4
T3TFTV-25	25	B	480	280	450	440	220	160	...-4
T3TFTV-30	30	B	480	300	450	440	240	190	...-4
T3TFTV-40	40	B	600	350	600	540	250	220	...-5
T3TFTV-50	50	B	600	360	600	540	260	230	...-5
T3TFTV-60	60	B	600	380	600	540	280	260	...-5

Technical data T3TFTV 61-250 Kva

CODE	RATED POWER	INSULATION CLASS	DIMENSIONS (mm)					WEIGHT Kg	BOX
	KVA		A	B	C	D	E		
T3TFTV-70	70	B	600	390	600	540	290	280	...-5
T3TFTV-80	80	B	600	420	600	540	320	330	...-5
T3TFTV-90	90	B	600	450	600	540	350	390	...-5
T3TFTV-100	100	B	720	420	740	660	300	390	...-6
T3TFTV-125	125	B	720	430	740	660	310	425	...-6
T3TFTV-135	135	B	720	440	740	660	320	465	...-6
T3TFTV-150	150	B	720	460	740	660	340	510	...-6
T3TFTV-170	170	B	720	480	740	660	360	565	...-6
T3TFTV-200	200	B	720	500	740	660	380	640	...-6
T3TFTV-250	250	B	720	550	740	660	430	775	...-6

Electrical data - Data referred to 400/400 V

RATED POWER	LOSSES (W)			EFFICIENCY	U _{cc}	INRUSH CURRENT
	KVA	no-load	load (75°C)			
10	80	345	425	95,94	3,66	17
15	105	415	520	96,66	3,13	16
20	130	530	660	96,84	3,37	15
25	150	655	805	96,89	3,29	15
30	180	680	860	97,23	2,88	15
40	175	1060	1235	97,01	5,78	14
50	190	1285	1475	97,15	4,09	12
60	225	115	340	97,76	3,29	13
70	240	1335	1575	97,8	3,4	12
80	290	15005	15295	97,81	3,22	14
90	360	1360	1720	98,13	2,63	15
100	380	1780	2160	97,89	4,04	12
125	430	2080	2510	98,04	4,14	10
135	455	2220	2675	98,06	4,18	10
150	510	2140	2650	98,27	3,54	10
170	565	2390	2955	98,29	3,31	9
200	655	2470	3125	98,46	3,23	9
250	815	2970	3785	98,51	2,79	10