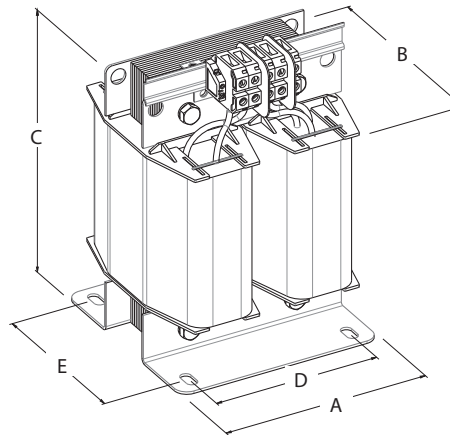


LV single-phase dry-type transformers

Single-phase transformer



General data

Rated input voltage	up to 600 V
Rated output voltage	up to 600 V
Rated power	from 5 to 80 KVA
Insulation class	class H
Temperature class	class F

Ambient temperature	Ta=40°C
Protection degree	IP 00 - class I
Test voltage	3 KV/1'
Terminals	terminal blocks / bars

Application:

Suitable for any industrial applications for electrical isolation of the input and output side.
Construction in accordance with the following standards:

Standard

CEI-EN 60076 – dry type transformers
IEC -60076 – dry type transformers
UL 5085 1 and 2 – low voltage transformers

Certifications



Insulation System class F - H (upon request)

Technical data T2

CODE	RATED POWER kVA	DIMENSIONS (mm)					WEIGHT Kg	LOSSES (W)		EFFICIENCY %	U _{cc} %	ΔV %	INRUSH CURRENT x I _n
		A	B	C	D	E		no-load	load				
T2-5	5	240	210	330	180	120	32	300	93,5	6,4	5	5	20
T2-8	8	240	230	330	180	140	42	340	95,3	4,8	4,8	4,8	20
T2-10	10	280	230	408	240	130	53	390	95,6	4,8	4	4	18
T2-15	15	280	270	408	235	170	72	95	445	96,5	3,7	3,5	15
T2-20	20	320	280	440	265	320	88	115	530	96	3,6	3,5	15
T2-25	25	320	310	440	265	198	110	140	600	97,1	3,1	3,2	14
T2-30	30	400	330	550	300	200	125	150	890	96,6	4,7	4,6	13
T2-40	40	400	360	550	300	220	155	180	1010	97,1	4,6	4,5	12
T2-50	50	400	410	550	300	240	190	230	1060	97,4	3,9	3,8	10
T2-60	60	400	440	550	300	280	225	280	1080	97,8	3,4	3,4	9
T2-80	80	400	480	550	300	320	275	335	1350	97,9	3,3	3,4	9

Electrical data