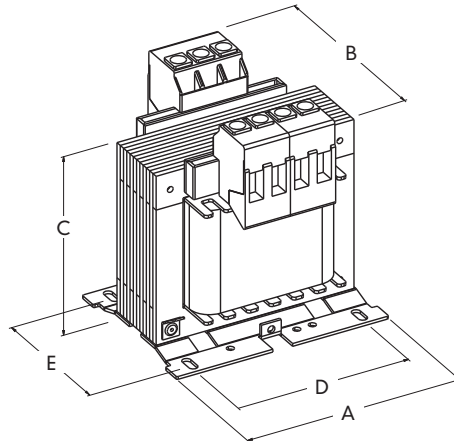


LV single-phase universal input isolating and safety transformers **Single-phase transformer**



General data

Rated input voltage (standard)	208-230-380-400-420-440-460-480-500-525-550 V
Rated output voltage	2x115 V or 2x12 V or 2x24 V
Rated power	from 150 to 1000 VA
Insulation class	class F

Temperature class	class F
Ambient temperature	Ta=40°C
Protection degree	IP 00 - class I
Test voltage	4,2 KV/1'
Terminals	terminal blocks

Application:

Suitable for any industrial application, where different input voltages are required.
Construction in accordance with the following standards:

Certifications

	FILE E169331-vol. 2-sec. 1-2
	FILE E215141-vol. 1-sec. 1

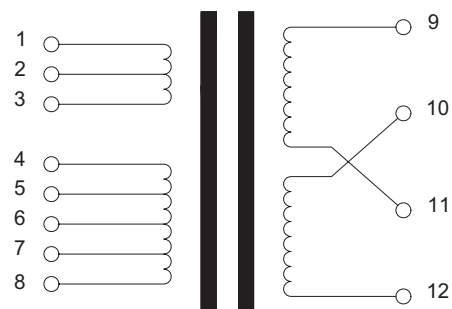
Standard

CEI-EN 61558,2-4 and 2-6 – isolating and safety transformers
IEC 61558,2-4 and 2-6
UL 5085 1 and 2 – low voltage transformers
GSA 22.2 No.66

Technical data T1U

CODE	RATED POWER VA	DIMENSIONS (mm)					WEIGHT Kg
		A	B	C	D	E	
T1U-150...	150	96	92	105	84	75	2,6
T1U-250...	250	121	95	125	90	70	3,6
T1U-400...	400	121	115	125	90	90	5,7
T1U-500...	500	121	135	125	90	110	7
T1U-630...	630	151	117	140	120	90	7,4
T1U-800...	800	151	137	140	120	110	9,8
T1U-1000...	1000	151	157	140	120	130	12,1

STANDARD WIRING DIAGRAM



Other configurations available upon request