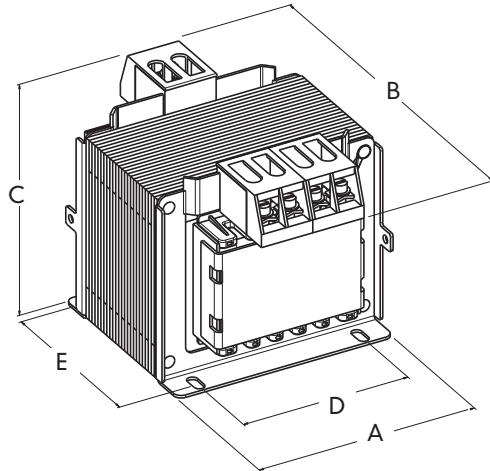


LV single-phase isolating and safety transformers
class B **Single-phase transformer**



General data

input-output in two sides

Rated input voltage	230-400 V (others upon request)
Rated output voltage	24V or 115V (others upon request)
Frequency	50/60 Hz
Rated power	30-5000 VA
Insulation class	class F
Temperature class	class B

Ambient temperature	Ta=40°C
Operating time	continuous
Protection degree	IP 00 - class I
Terminal protection degree	IP 20
Test voltage	4,2 KV/1'
Terminals	terminal blocks

Application:

Single phase control, isolating and safety transformers designed combining reliable performance and cost-effectiveness. They are completely impregnated with resin. Input and output in two sides. Construction in accordance with the following standards:

Standard

CEI - EN 61558,2-4 – isolating transformers

CEI - EN 61558,2-6 – safety transformers

IEC 61558,2-4 and 2-6

Technical data T1-IT

CODE	RATED POWER VA	DIMENSIONS (mm)					WEIGHT Kg	LOSSES (W)		EFFICIENCY %	Ucc %	ΔV %
		A	B	C	D	E		no-load	load			
T1-IT-30...	30	76	70	76	55	39	1	2,1	5,8	76,5	13,2	13
T1-IT-50...	50	76	75	76	55	44	1,1	2,7	9,5	81	12,5	12,4
T1-IT-75...	75	76	90	76	55	59	1,3	3,9	11	83,8	12,4	12,7
T1-IT-100...	100	85	88	84	70	61	1,8	4,7	13,7	84,6	11,8	12,1
T1-IT-160...	160	98	94	94	80	64	2,2	5,8	17,9	86,5	10,5	10,7
T1-IT-200...	200	98	104	94	80	74	3	7	22,8	87,1	10,2	10,3
T1-IT-250...	250	98	114	94	80	84	3,5	8,4	28,3	87,3	10	10,2
T1-IT-300...	300	108	112	94	84	83	4,1	9,8	31	88,4	9,2	9,3
T1-IT-400...	400	122	107	110	100	85	4,9	9,4	34	90,3	7,9	7,9
T1-IT-500...	500	122	122	110	100	100	6	11	34,1	92	6,4	6,5
T1-IT-600...	600	151	100	133	125	90	7,8	12,3	39	92,2	6,4	6,2
T1-IT-800...	800	151	120	133	125	110	10,4	17,2	40,4	93,4	4,9	4,8
T1-IT-1000...	1000	151	130	133	125	120	11,4	19	47,3	93,5	4,6	4,5
T1-IT-1500...	1500	192	125	176	160	96	14	30	76	93,5	4,9	4,8
T1-IT-2000...	2000	192	151	176	160	122	20,1	40	88	94	4,4	4,3
T1-IT-2500...	2500	192	171	176	160	142	23	52	96	94,5	3,8	3,7
T1-IT-3000...	3000	192	191	176	160	162	26	61	103	94,9	3,5	3,4