



# T1-T1Q-T1ULF-T1UL

LV single-phase isolating and safety transformers  
ENEC and UL-CSA marked **Single-phase transformer**



CoC certified products: T1ULF and T1  
For technical and electrical data see page 10 (T1ULF) and 11 (T1)

## General data

Input voltage	T1Q : 200-440 V
	T1ULF-T1UL : 100-600 V
Output voltage	T1Q : 12-440 V
	T1ULF-T1UL : 12-600 V
Rated power	T1Q : 30-2000 VA
	T1ULF : 30-5000 VA
	T1UL : >5 KVA - 10 KVA

Insulation class	class F
Temperature class	T1Q : class B
	T1ULF-T1UL : class F
Ambient temperature	Ta=40°C
Protection degree	IP 00 - class I
Test voltage	4,2 KV/1'
Terminals	terminal blocks

## Application:

Isolating transformer with secondary voltage > 50 V  
Safety transformer with secondary voltage ≤ 50 V  
They are suitable for any industrial/civil use for the electrical isolation of the input and output sides. Construction in accordance with the following standards:

## Standard

CEI-EN 61558,2-4 – isolating transformers
IEC 61558,2-4 – isolating transformers
UL 5085 1-2 – low-voltage transformers
CEI-EN 61558,2-6 – safety transformers
IEC 61558,2-6 – safety transformers
CSA 22.2, No66

## T1Q: ENEC marked

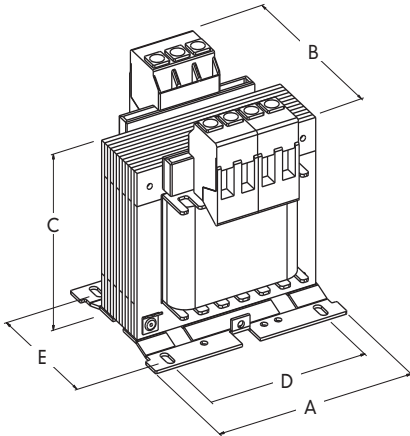
## T1ULF-T1UL: UL-CSA marked

## Certifications

	KEMA FILE 3502609.01-02-03-04-05
	FILE E169331-vol. 2-sec. 1-2
	FILE E169331-vol. 1-sec. 1-2
	FILE E215141-vol. 1-sec. 1



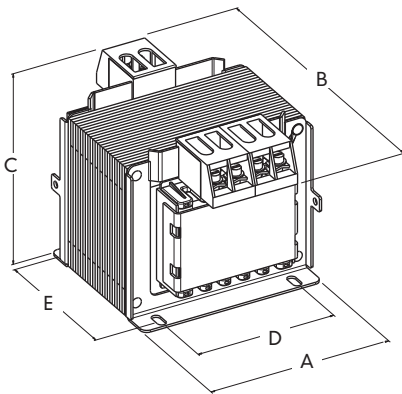
## Technical data T1 CUSTOMIZED PRODUCT



CODE	RATED POWER VA	APPROVALS	DIMENSIONS (mm)					WEIGHT Kg
			A	B	C	D	E	
T1-30...	30	CE	77	81	77	60	43	1,1
T1-50...	50	CE	77	85	77	60	48	1,2
T1-75...	75	CE	86	85	82	70	55	1,45
T1-100...	100	CE	86	95	82	70	65	2
T1-150...	150	CE	98	98	95	80	69	2,6
T1-200...	200	CE	98	113	95	80	84	3,1
T1-250...	250	CE	122	103	110	100	75	3,6
T1-300...	300	CE	122	108	110	100	80	4,4
T1-400...	400	CE	122	118	110	100	90	5,7
T1-500...	500	CE	122	138	110	100	110	7
T1-600...	600	CE	153	116	136	125	93	7,4
T1-800...	800	CE	153	136	136	125	113	9,8
T1-1000...	1000	CE	153	156	136	125	133	12,1
T1-1250...	1250	CE	193	125	176	160	96	14
T1-1500...	1500	CE	193	131	176	160	102	16
T1-2000...	2000	CE	193	151	176	160	122	20
T1-3000...	3000	CE	193	192	176	160	162	22
T1-4000...	4000	CE	240	230	230	180	165	45
T1-5000...	5000	CE	240	240	230	180	180	50
T1-6000...	6000	CE	240	260	240	180	200	60



## Technical data T1Q



CODE	RATED POWER VA	APPROVALS	DIMENSIONS (mm)					DIMENSIONS ACCORDING TO DIN STANDARD (mm)					WEIGHT Kg
			A	B	C	D	E	A	B	C	D	E	
T1Q-30...	30	EVS 05	77	81	77	60	43	76	72	89	56	45	1,1
T1Q-50...	50	EVS 05	77	85	77	60	48	76	78	89	56	50	1,2
T1Q-75...	75	EVS 05	86	85	82	70	55	85	85	98	64	54	1,45
T1Q-100...	100	EVS 05	86	95	82	70	65	85	94	98	64	64	2
T1Q-150...	150	EVS 05	98	98	95	80	69	96	92	109	84	70	2,6
T1Q-200...	200	EVS 05	98	113	95	80	84	96	107	109	84	85	3,1
T1Q-250...	250	EVS 05	122	103	110	100	75	121	95	123	90	70	3,6
T1Q-300...	300	EVS 05	122	108	110	100	80	121	105	123	90	80	4,4
T1Q-400...	400	EVS 05	122	118	110	100	90	121	115	123	90	90	5,7
T1Q-500...	500	EVS 05	122	138	110	100	110	121	135	123	90	110	7
T1Q-600...	600	EVS 05	153	116	136	125	93	151	117	140	122	90	7,4
T1Q-800...	800	EVS 05	153	136	136	125	113	151	137	140	122	110	9,8
T1Q-1000...	1000	EVS 05	153	156	136	125	133	151	157	140	122	130	12,1
T1Q-1250...	1250	EVS 05	193	125	176	160	96	193	125	176	160	96	14
T1Q-1500...	1500	EVS 05	193	131	176	160	102	193	131	176	160	102	16
T1Q-2000...	2000	EVS 05	193	151	176	160	122	193	151	176	160	122	20

# T1Q-T1ULF-T1UL

## Technical data T1ULF (industrial control transformers) T1UL (general purpose transformers)

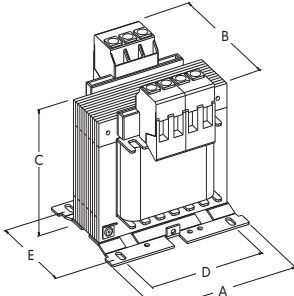


Fig. 1

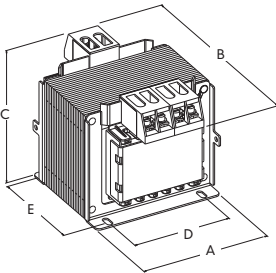


Fig. 2

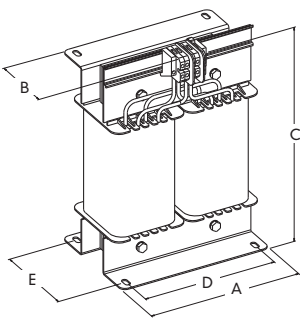


Fig. 3

CODE	RATED POWER VA	APPROVALS	DIMENSIONS (mm)					DIMENSIONS ACCORDING TO DIN STANDARD (mm)					WEIGHT Kg	FIG.
			A	B	C	D	E	A	B	C	D	E		
T1ULF-30...	30		77	81	77	60	43	76	72	89	56	45	1,1	1-2
T1ULF-50...	50		77	85	77	60	48	76	78	89	56	50	1,2	1-2
T1ULF-75...	75		86	85	82	70	55	85	85	98	64	54	1,45	1-2
T1ULF-100...	100		86	95	82	70	65	85	94	98	64	64	2	1-2
T1ULF-150...	150		98	98	95	80	69	96	92	109	84	70	2,6	1-2
T1ULF-200...	200		98	113	95	80	84	96	107	109	84	85	3,1	1-2
T1ULF-250...	250		122	103	110	100	75	121	95	123	90	70	3,6	1-2
T1ULF-300...	300		122	108	110	100	80	121	105	123	90	80	4,4	1-2
T1ULF-400...	400		122	118	110	100	90	121	115	123	90	90	5,7	1-2
T1ULF-500...	500		122	138	110	100	110	121	135	123	90	110	7	1-2
T1ULF-600...	600		153	116	136	125	93	151	117	140	122	90	7,4	1-2
T1ULF-800...	800		153	136	136	125	113	151	137	140	122	110	9,8	1-2
T1ULF-1000...	1000		153	156	136	125	133	151	157	140	122	130	12,1	1-2
T1ULF-1250...	1250		193	125	182	122	96	-	-	-	-	-	14	1-2
T1ULF-1500...	1500		193	131	182	160	102	-	-	-	-	-	16	1-2
T1ULF-2000...	2000		193	151	182	160	122	-	-	-	-	-	20	1-2
T1ULF-2500...	2500		193	171	182	160	142	-	-	-	-	-	22	2-3
T1ULF-3000...	3000		200	155	300	150	126	-	-	-	-	-	31	3
T1ULF-4000...	4000		240	175	357	205	104	-	-	-	-	-	37	3
T1ULF-5000...	5000		240	185	357	205	114	-	-	-	-	-	40	3
T1UL-6000...	6000		240	205	357	205	134	-	-	-	-	-	47	3
T1UL-7500...	7500		280	228	410	233	152	-	-	-	-	-	57	3
T1UL-10000...	10000		280	252	410	233	175	-	-	-	-	-	75	3



All the above items are also available with transparent varnish

### Electrical data Suitable for T1Q - T1ULF - T1UL

RATED POWER VA	LOSSES (W)		EFFICIENCY	U <sub>cc</sub>	ΔV	INRUSH CURRENT
	no-load	load	%	%	%	x I <sub>n</sub>
30	3	3,2	82,8	9,5	9,6	20
50	3,5	6,7	83,1	11,8	11,8	18
75	4	8	86,2	10,6	10	17
100	5,2	6,8	86,9	8,4	8,2	24
150	6,5	12,5	88,9	9,4	8,1	20
200	8,2	16	89,5	9	7,7	19
250	9,1	17,5	90,5	10,2	7,2	19
300	10,5	18,7	91,2	9,2	6,4	19
400	12,5	28,5	91	10	7,1	18
500	15,6	29	91,9	8,6	5,9	20
600	17	36	92,3	5,6	5,6	23
800	20	46	92,4	5	5,4	22
1000	25	47	93,4	4,5	4,5	23
1250	32	48	93,9	3,9	3,8	22
1500	34	63	93,9	4,3	4,1	22
2000	41	79	94,3	4	3,8	21
2500	50	80	95	3,5	3,2	21
3000	60	97	95	3,4	3,2	20
4000	60	150	95,2	4,1	3,8	20
5000	65	170	95,6	3,7	3,4	18
6000	65	185	96	3,4	3,1	18
7500	75	220	96,2	3,2	2,4	17
10000	100	250	96,7	2,9	2,4	17