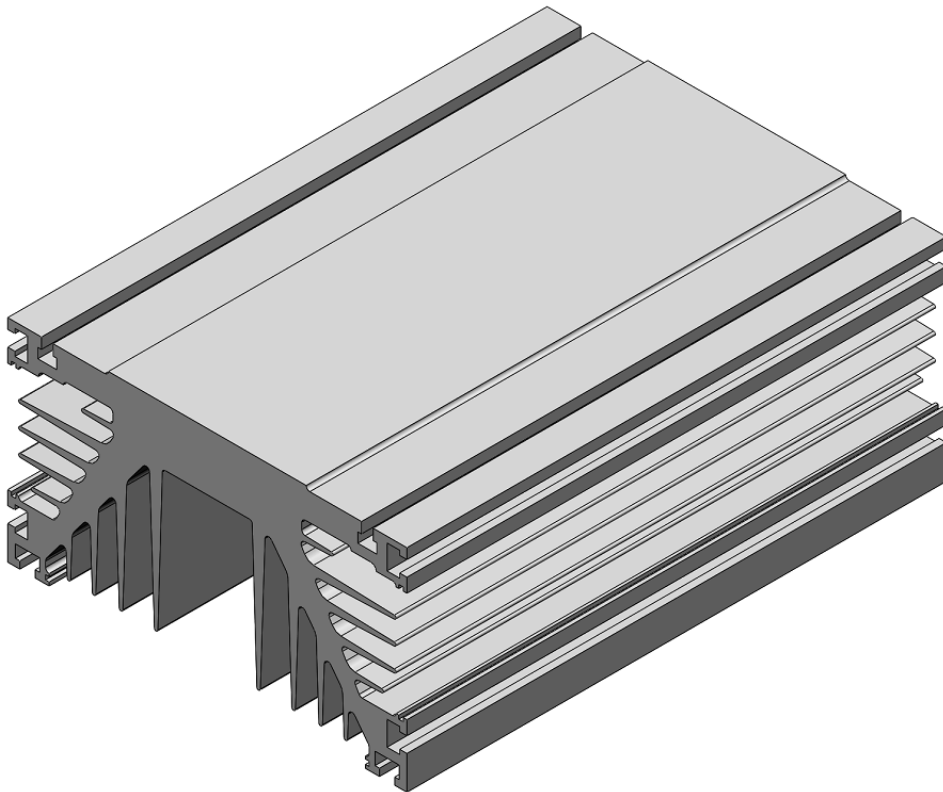


Heatsink Type XSFTCxxxxAN



Mechanical properties

	PARAMETER	MIN.	TYP.	MAX.	UNITS
\square	Flatness of contact area	30	50	-	μm
Ra	Roughness of contact area	0.8	1.6	-	μm
	Finish of contact area	Natural			
	Finish of heatsink	Natural or Black anodised to BS EN 12373-1			
	Weight	2.8kg per 100mm length			

Thermal properties

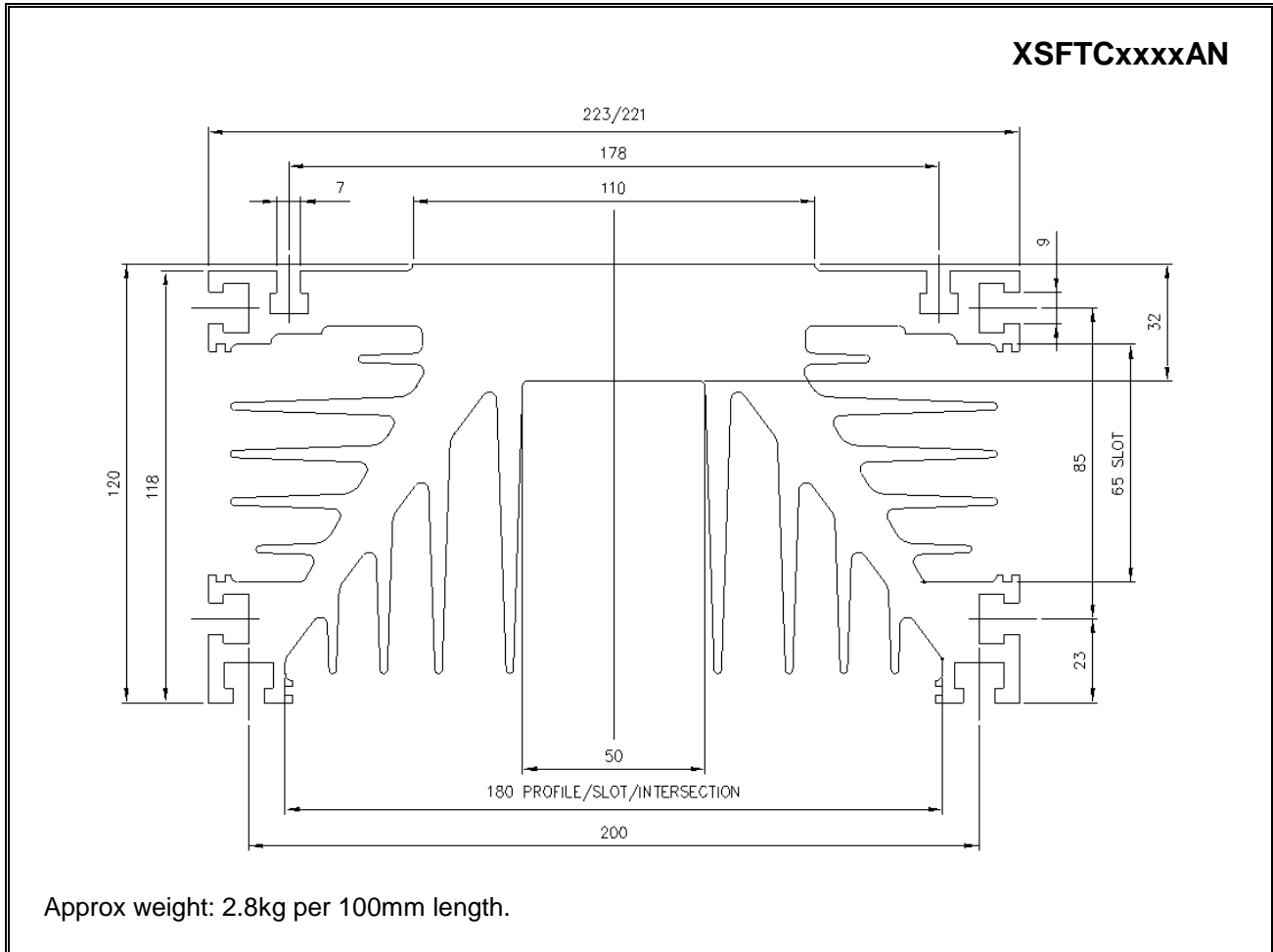
Air natural cooling / Natural finish / Double side cooled	XSFTC0300AN	XSFTC0500AN
Length (mm)	300	500
Power (W)	Thermal Resistance (°C/W)	
200	0.154	0.117
400	0.141	0.111
600	0.133	0.108
800	0.129	0.106
1000	0.126	0.105

Forced air cooling / Natural finish / Double side cooled	XSFTC0150AN	XSFTC0300AN
Length (mm)	300	500
Air Speed (m/s)	Thermal Resistance (°C/W)	
2.5	0.071	0.065
5	0.055	0.049
7	0.047	0.040

* 73mm poleface semiconductor used for heat source.

* Black anodised finish improves the Steady State Thermal Resistance by 7.5%.

Outline Drawing & Ordering Information



ORDERING INFORMATION

(Please quote code as below)

XSFTCxxxxAN

XSF	TC	xxxx	A	N
Assemblies heatsink – Cut length	Heatsink profile (TC)	Heatsink length (mm)	Material (Aluminium)	Finish (Natural)

IXYS Semiconductor GmbH
Edisonstraße 15
D-68623 Lampertheim
Tel: +49 6206 503-0
Fax: +49 6206 503-627
E-mail: marcom@ixys.de



IXYS UK Westcode Ltd
Langley Park Way, Langley Park,
Chippenham, Wiltshire, SN15 1GE.
Tel: +44 (0)1249 444524
Fax: +44 (0)1249 659448
E-mail: sales@ixysuk.com

IXYS Corporation
1590 Buckeye Drive
Milpitas CA 95035-7418
Tel: +1 (408) 457 9000
Fax: +1 (408) 496 0670
E-mail: sales@ixys.net

<http://www.ixysuk.com>

www.ixys.net

IXYS Long Beach
IXYS Long Beach, Inc
2500 Mira Mar Ave, Long Beach
CA 90815
Tel: +1 (562) 296 6584
Fax: +1 (562) 296 6585
E-mail: service@ixyslongbeach.com

The information contained herein is confidential and is protected by Copyright. The information may not be used or disclosed except with the written permission of and in the manner permitted by the proprietors IXYS UK Westcode Ltd.

© IXYS UK Westcode Ltd.

In the interest of product improvement, IXYS UK Westcode Ltd reserves the right to change specifications at any time without prior notice.

Devices with a suffix code (2-letter or letter/digit/letter combination) added to their generic code are not necessarily subject to the conditions and limits contained in this report.