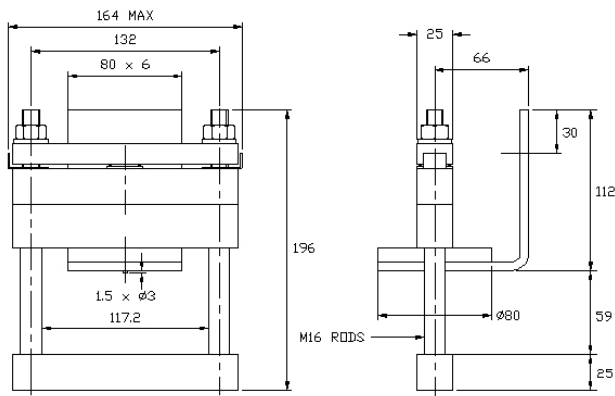


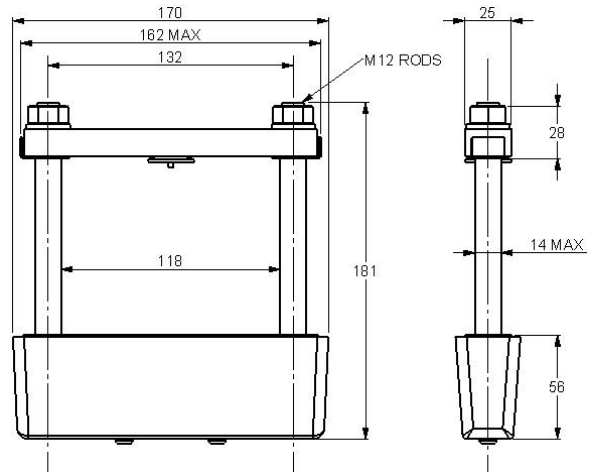
Weight 990g

Device family	Clamp part number	clamp force	T _{JMAX}	Maximum allowed height	Outline
		kgf	°C	mm	
GTO Thyristors (G) HF Housing	XK2500SA116ML	2500	125	59	WC32
	XK2500DA116ML			97	WC33
	XSK2200Dx103M038	2200	190	38	WC61/WC63
	XSK2200Dx103M044			44	
	XSK2200Dx103M050			50	
	XSK2200Dx103M057			57	
	XSK2200Dx103M063			63	
	XSK2200Dx103M069			69	
	XSK2200Dx103M076			76	
	XSK2200Dx103M082			82	
	XSK2200Dx103M088			88	
	XSK2200Dx103M095			95	
	XSK2200Dx103M101			101	
	XSK2200Dx103M107			107	
	XSK2200Dx103M114			114	
	XSK2200Dx103M120			120	

XK2500S/DA116ML

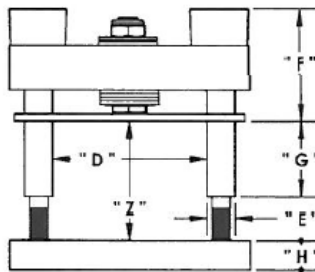
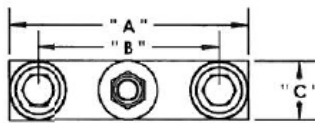


WC32 – SA Style

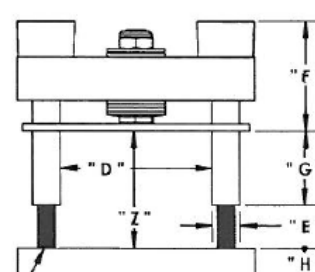
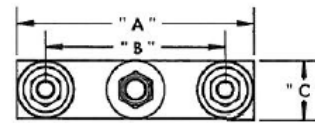


WC33 – DA Style

XSK2200Dx103



WC61 – DA Style



WC63 – DF Style

Dimensions (mm)

- A – 144.78
- A1 – 154.11
- B – 118.00
- C – 25.40
- C1 – 36.00
- D – 103.00
- H – 19.05

Force [kgf]	" E "	" F " (ref)	Bolt Type
2200	12.19	57.99	M8
3200	12.19	48.48	M8
4000	16.56	70.41	M10

Part #'s	" Z " min	" Z " max	" G " (ref)		
			02200	03200	04000
XSK xxxxx xx 103 M 038	31.75	38.10	24.89	28.44	29.46
XSK xxxxx xx 103 M 044	38.10	44.45	27.94	30.48	32.51
XSK xxxxx xx 103 M 050	44.45	50.80	32.00	34.54	35.56
XSK xxxxx xx 103 M 057	50.80	57.15	35.05	37.59	38.60
XSK xxxxx xx 103 M 063	57.15	63.50	38.10	40.64	41.65
XSK xxxxx xx 103 M 069	63.50	69.85	40.89	43.43	44.70
XSK xxxxx xx 103 M 076	69.85	76.20	43.94	46.48	47.49
XSK xxxxx xx 103 M 082	76.20	82.55	46.99	49.53	50.54
XSK xxxxx xx 103 M 088	82.55	88.90	50.03	52.57	53.59
XSK xxxxx xx 103 M 095	88.90	95.25	53.08	55.62	56.64
XSK xxxxx xx 103 M 101	95.25	101.60	56.13	58.42	59.69
XSK xxxxx xx 103 M 107	101.60	107.95	58.92	61.46	62.48
XSK xxxxx xx 103 M 114	107.95	114.30	61.97	64.51	65.53
XSK xxxxx xx 103 M 120	114.30	120.65	65.02	67.56	68.58