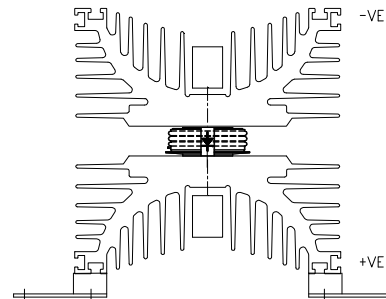
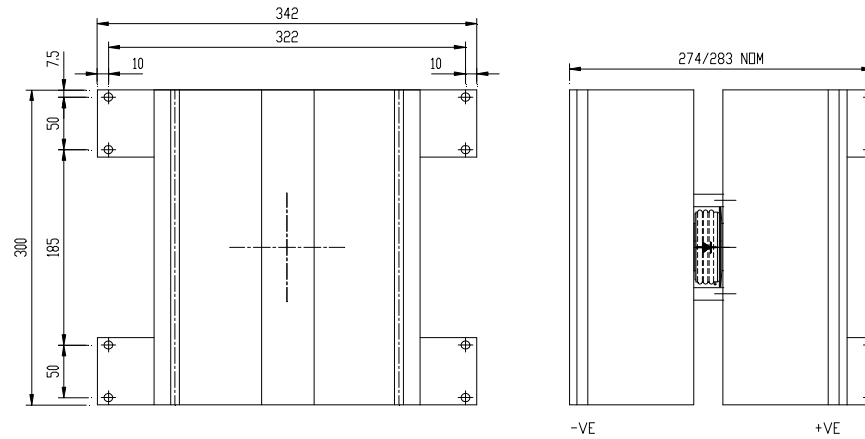


DRG.No.B 020777

POWERSEM LTD.



CONNECTIONS M8 CHANNELS.  
FIXINGS 8 x M6

TOLERANCES UNLESS SPECIFIED UNLIMITED DIMENSIONS TO BE $\pm 0.2$ ANGLES $\pm 0^\circ - 30^\circ$ HOLES $+ 0.1 - 0.02$		REMOVE SHARP EDGES ALL DIMENSIONS IN MILLIMETRES CHAMFER ALL THREADS AT 45 TO ROOT DIAMETER.	POWERSEM LTD OWNS THE COPYRIGHT OF THIS DRAWING WHICH IS SUPPLIED IN CONFIDENCE AND WHICH MUST NOT BE USED FOR ANY PURPOSE OTHER THAN THAT FOR WHICH IT IS SUPPLIED, AND MUST NOT BE REPRODUCED WITHOUT PERMISSION IN WRITING FROM THE OWNERS. © POWERSEM LTD.	TITLE: E1U/C xx/xx 2PS352/300B		JOB:		
				MAT'L:	SCALE: 1:4		SPEC.	
				FINISH:			DRAWN PB	
				MOD. No			CHK'D MP	
				ISSUE No	1/16.01.06		DRG.No.B 020777	
ASSEMBLY EN:			THIRD ANGLE PROJECTION					
ASSEMBLY DN:								