



**RECTIFIERS**

*The Custom Power Specialist*

## CENTRE SPRING BAR CLAMPS – BC140D series

### DESCRIPTION

GD Rectifiers Ltd produce a range of large disc cell clamping devices, specially developed for double side applications of commonly used press pack semiconductors.

Materials and components used in the manufacturing of these clamps are carefully selected and quality controlled, to ensure the compliance with the requested specifications.

BC series are normally supplied with a specific preset clamping force, to allow an easy and accurate clamping with no special tools.

The user should specify Clamping force (kN), & Pack height total.

### HOW TO ORDER

BC140D – (Y) – (Z),

Where Y = the calibration force (kN), And Z, the Pack height (mm). e.g. BC140D –40–100

### TECHNICAL CHARACTERISTICS (Dwg 010006)

Dimensions see figures below, Clamping force up to 45 kN  $\pm$  10%

Insulation Material Grivory, UL94 HB

Operating Temp Range -30°C - +120°C. Storage -40°C - +120°C.

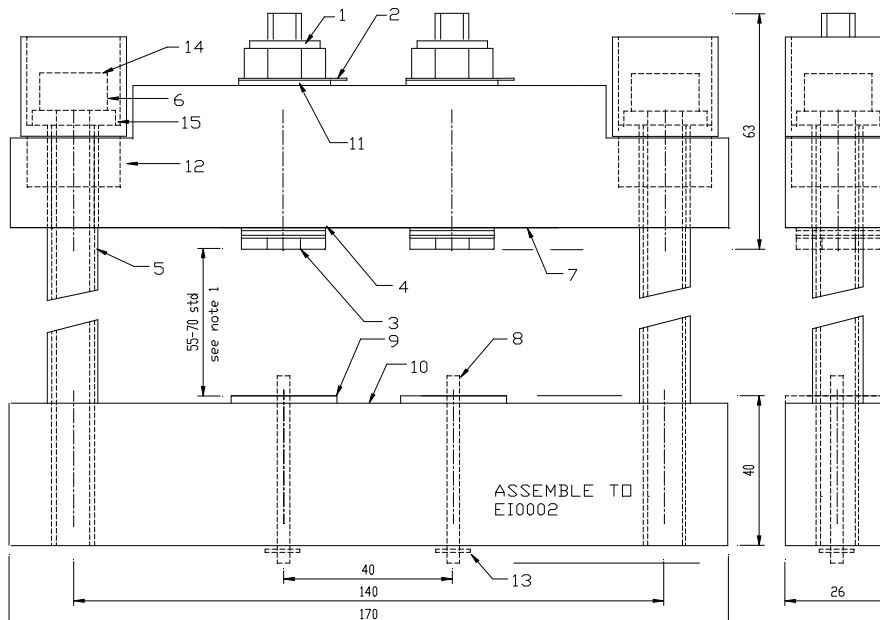
Insulation Voltage 3kVrms 1 min, 50Hz.

Semiconductor Diameter = 126mm max. Semiconductor Thickness 25 to 40mm typ.

Retaining pins Pos. 8, used to secure reaction bar to rear heatsink.

Weight BC140D =2800g approx. Fixing Screws supplied with Clamp.

Special designs are available on request; please contact GD Rectifiers Ltd for details.



#### NOTE 1

BOLT 6 & ISOLATOR 5, MAY VARY IN LENGTH TO SUIT JOB.

BOLT 6 @130=55-70mm, @150=75-90mm, @160=85-100mm, @180=105-120mm.

**GD Rectifiers Ltd** Bentley House, 2 William Way, Burgess Hill, West Sussex RH15 9AG

Tel: 01444 243452 Fax: 01444 870722 E-Mail: [enquiries@gdrectifiers.co.uk](mailto:enquiries@gdrectifiers.co.uk)