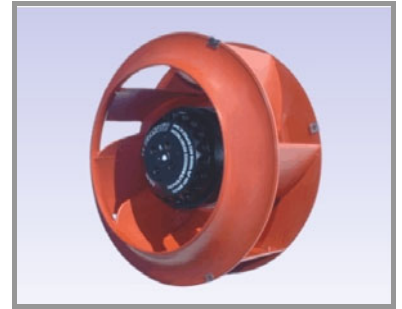


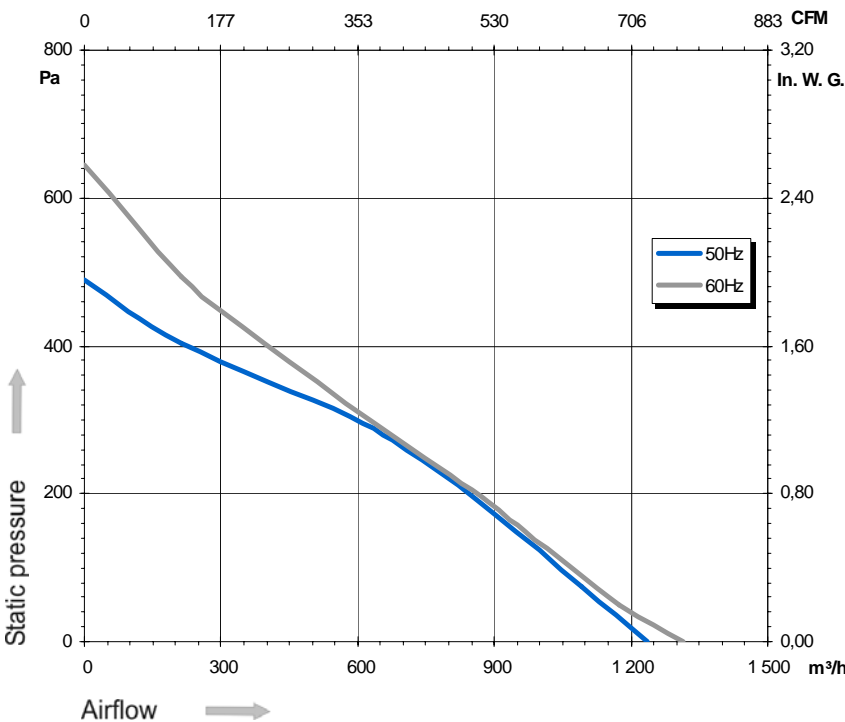
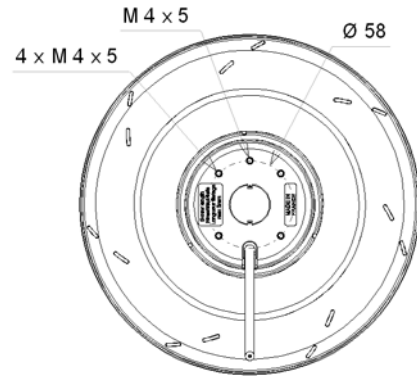
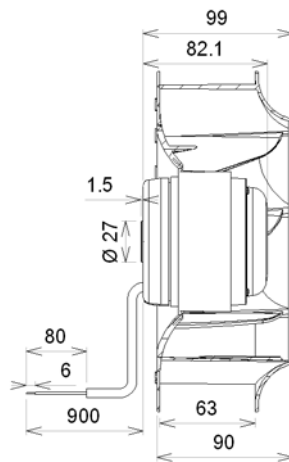
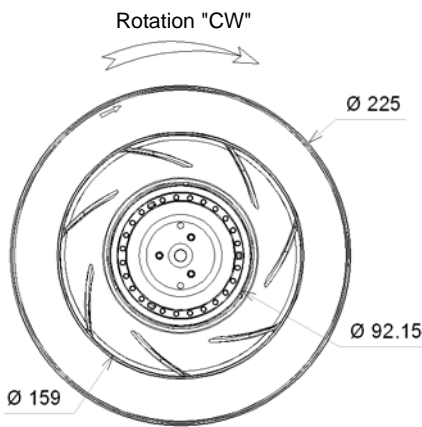
Ind. b - Revision : 11-2008

2RRE35 225x63R P/N B28-A1

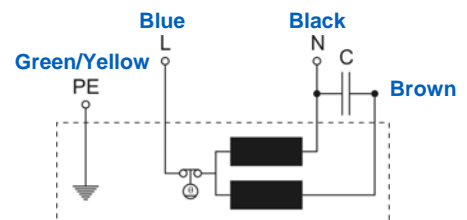
Substitute for T11-02



Voltage	Frequency	Input power	Current	Capacitor	Airflow	Speed rotation	Noise level	Rotation direction	Operating temperature
V	Hz	Wa	A	µF	m³/h	RPM	dBA	↻	Min / Max
230	50	150	0,66	4,0	1 235	2 480	67	R	-20°C / +70°C
230	60	197	0,86	4,0	1 315	2 580	69	R	-20°C / +50°C
230	50				726 CFM				-4°F / +158°F
230	60				774 CFM				-4°F / +122°F



- Weight : 2,4 Kg
- Ball bearing
- Class F, thermally protected
- IP44 protection
- G2.5 balancing
- Rotor : black paint
- PA 6/6 UL 94 V-0 plastic impeller



Capacitor for 50Hz	Capacitor for 60Hz	Finger guard	Inlet cone
19019	19019	21194	16214

Non contractual document. All specifications are subject to change without prior notice. Picture for information only.