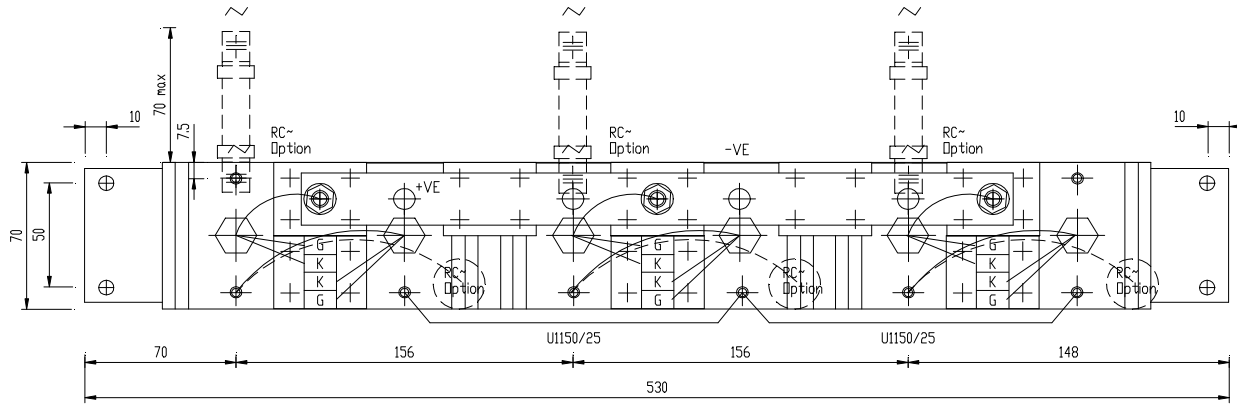


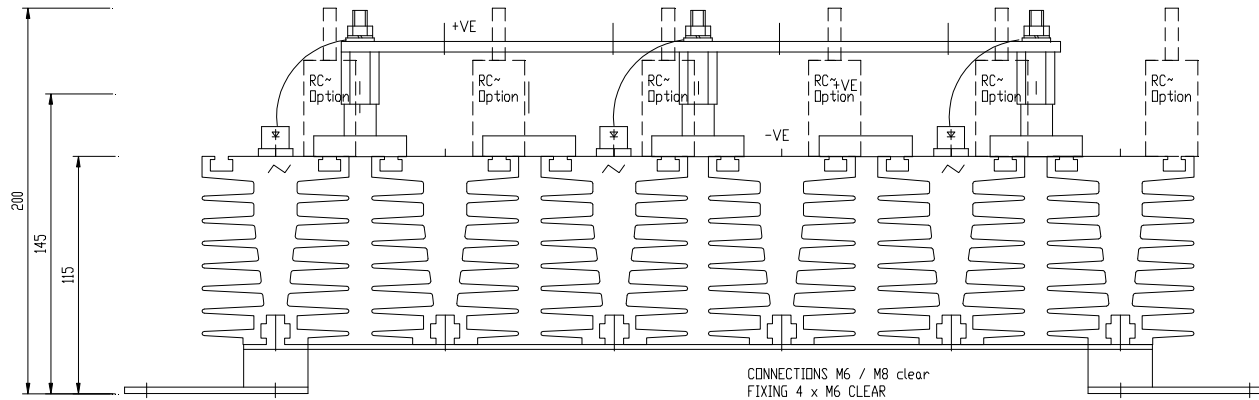
DRG.No.B 020668

POWERSEM LTD.



NB When 6RC fitted. Substitute 3x RB4100 CA
With 3x PSRC500 to mount +VE Busbar.
Fit other 3x PSRC500 as shown.
Fit 2x U1150/25 to link -VE as shown.

Fitted Fuses & Dv/Dt optional.



CONNECTIONS M6 / M8 clear
FIXING 4 x M6 CLEAR

TOLERANCES UNLESS SPECIFIED
UNLIMITED DIMENSIONS TO BE ± 0.2
ANGLES $\pm 0^\circ - 30^\circ$
HOLES $+0.1 - 0.02$

REMOVE SHARP EDGES
ALL DIMENSIONS IN MILLIMETRES
CHAMFER ALL THREADS AT 45 TO
ROOT DIAMETER.

POWERSEM LTD OWNS THE COPYRIGHT OF THIS DRAWING WHICH IS
SUPPLIED IN CONFIDENCE AND WHICH MUST NOT BE USED FOR ANY PURPOSE OTHER THAN
THAT FOR WHICH IT IS SUPPLIED, AND MUST NOT BE REPRODUCED WITHOUT PERMISSION
IN WRITING FROM THE OWNERS.
© POWERSEM LTD.

TITLE: B6C Nxx/xx 6PS156/70B

JOB:

MAT'L:
FINISH: SCALE 1:2

SPEC.
DRAWN PB CHK'D MP

MOD. No
ISSUE No 1/26.03.12

DRG.No.B 020668

ASSEMBLY DN:
ASSEMBLY DN

THIRD ANGLE PROJECTION