

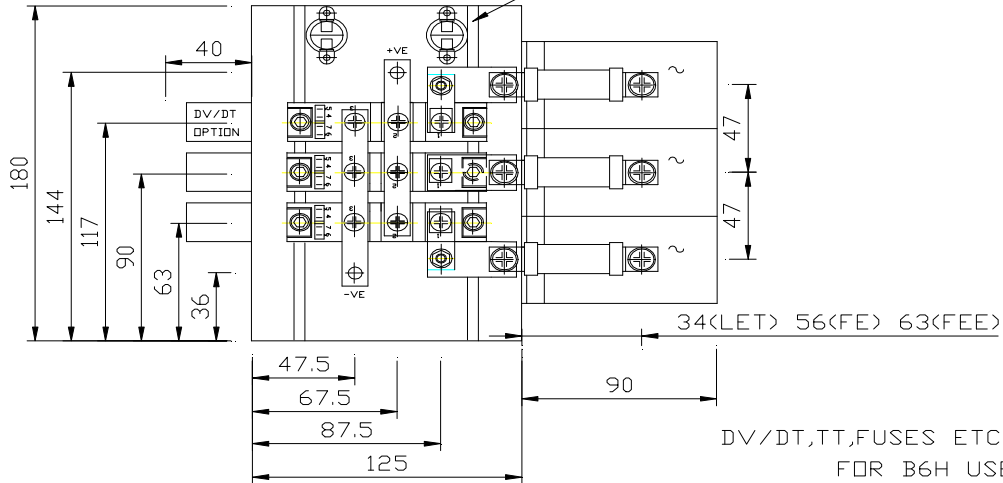
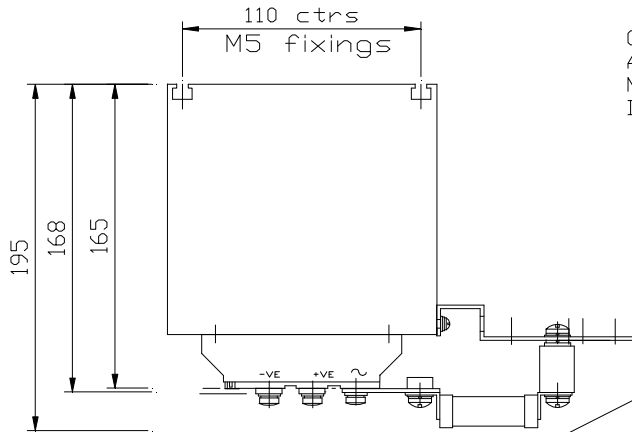
POWERSEM LTD.

DRG.No.A 020045

POWERSEM LTD, OWNS THE COPYRIGHT OF THIS DRAWING WHICH IS SUPPLIED IN CONFIDENCE AND WHICH MUST NOT BE USED FOR ANY PURPOSE OTHER THAN THAT FOR WHICH IT IS SUPPLIED, AND MUST NOT BE REPRODUCED WITHOUT PERMISSION IN WRITING FROM THE OWNERS.

THIRD ANGLE PROJECTION

© POWERSEM LTD



TOLERANCES UNLESS SPECIFIED

UNLIMITED DIMENSIONS TO BE ± 0.2
ANGLES $\pm 0^\circ 30'$
HOLES + 0.1 - 0.02

REMOVE SHARP EDGES
ALL DIMENSIONS IN MILLIMETRES
CHAMFER ALL THREADS AT 45 TO ROOT DIAMETER.

ASSEMBLY DN:

TITLE: B6C MCC19-95/xx PS260/180B

JOB:

MAT'L:

SPEC.

FINISH:

SCALE 1:3

DRAWN P/B

CHK'D MP

MOD. No

ISSUE No

1/02.01.96

DRG.No.A 020045