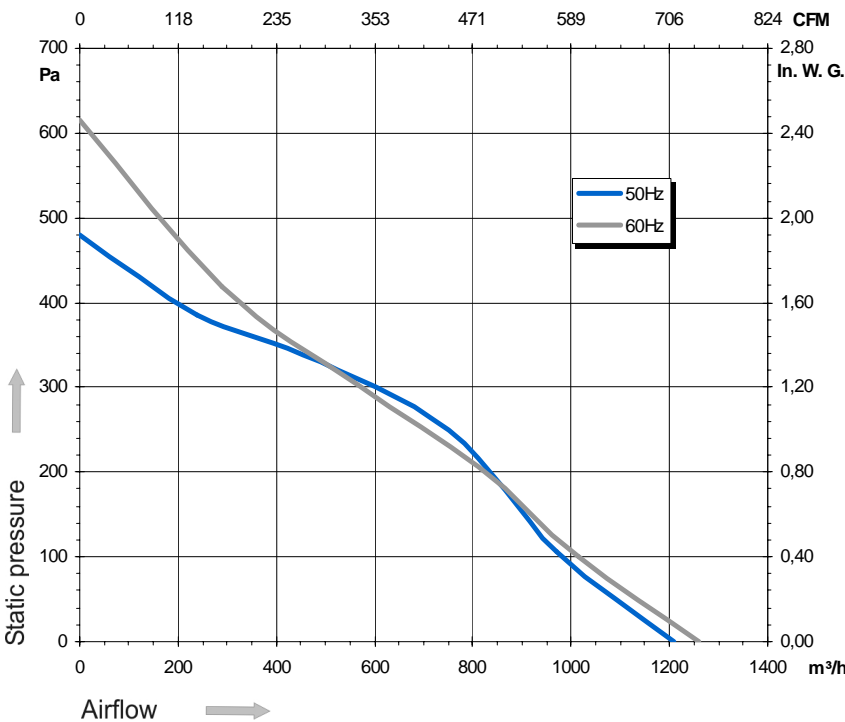
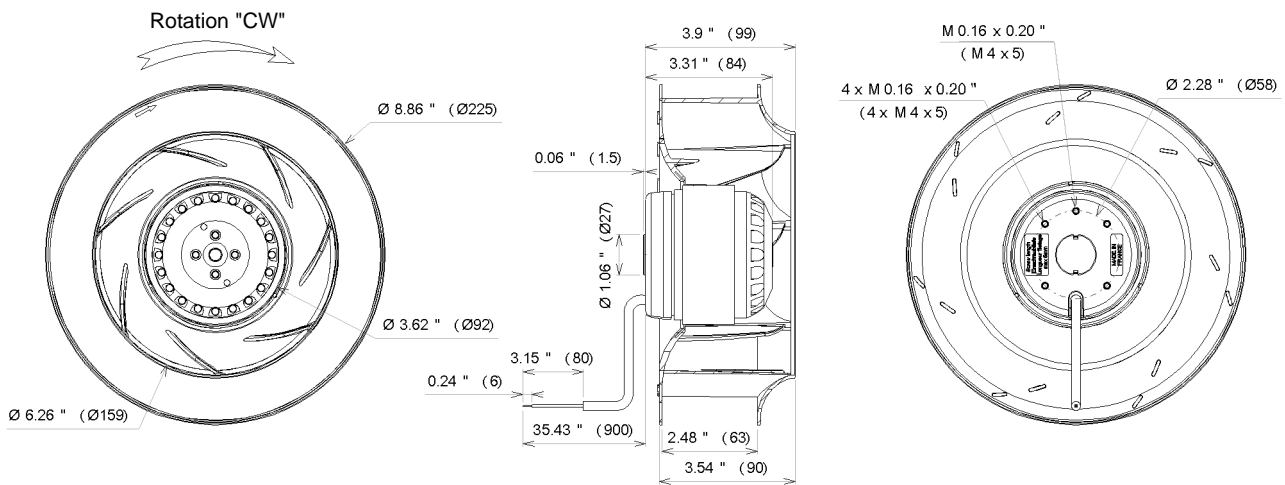
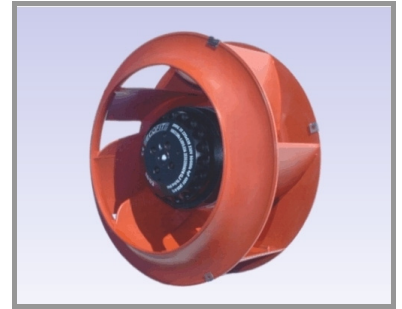


Ind. 0 - Revision : 05-2007

2RREu35 225x63R P/N B12-A3

Voltage	Frequency	Input power	Current	Capacitor	Airflow	Speed rotation	Noise level	Rotation direction	Operating temperature
V	Hz	Wa	A	µF	m³/h	RPM	dBA	↻	Min / Max
115	50	150	1,38	18,0	1 210	2 580	72	R	-40°C / +70°C
115	60	210	1,85	18,0	1 260	2 760	74	R	-40°C / +60°C
115	50				712 CFM				-40°F / +158°F
115	60				741 CFM				-40°F / +140°F



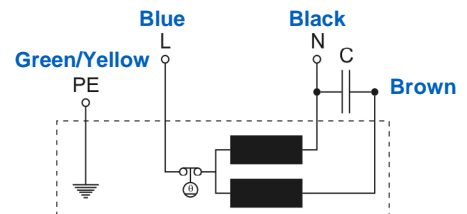
- Weight : 2,4 Kg

- Ball bearing
- Class F, thermally protected
- IP44 protection
- G2.5 balancing
- Rotor : black paint
- PA 6/6 UL 94 V-0 plastic impeller
- UL approved motor

UL2111 (XEWR2,8)
N° File E135223
2RS935



Capacitor for 50Hz	Capacitor for 60Hz	Finger guard	Inlet cone
19225	19225	21194	16133



Non contractual document. All specifications are subject to change without prior notice. Picture for information only.