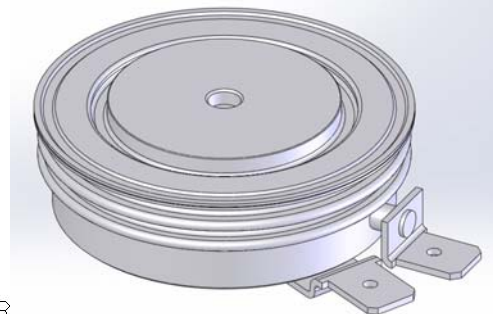
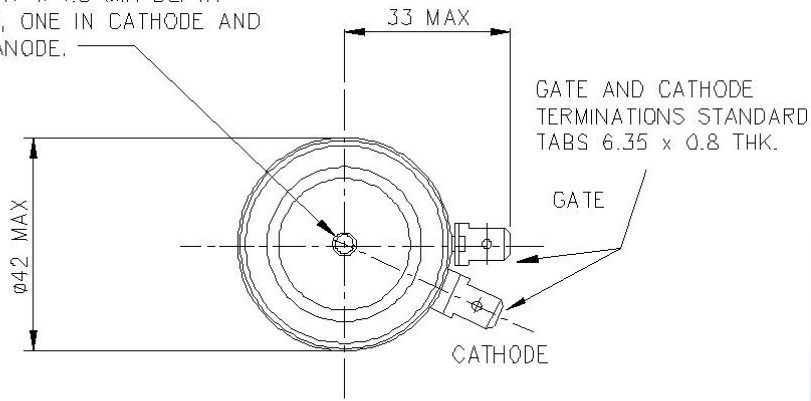
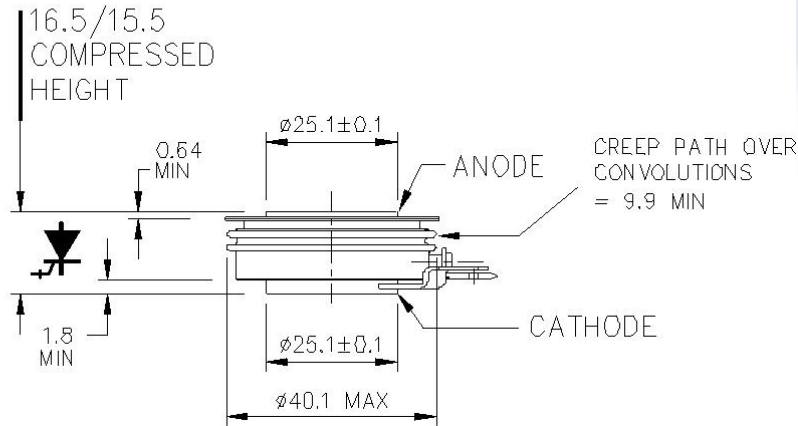


∅3.63/3.47 x 1.8 MIN DEPTH
2-HOLES, ONE IN CATHODE AND ONE IN ANODE.

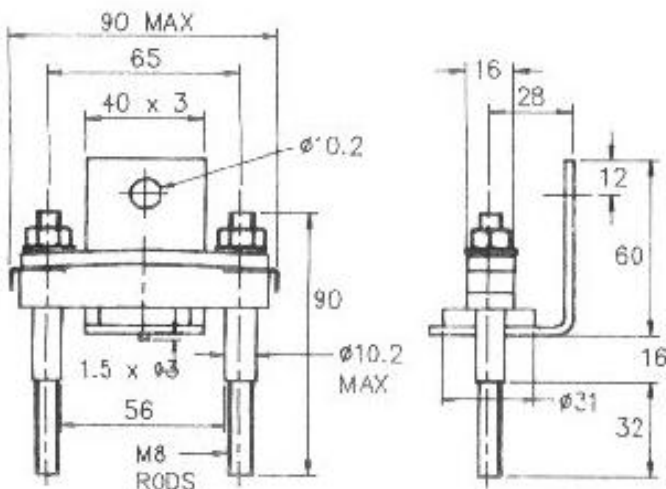


Weight 90g

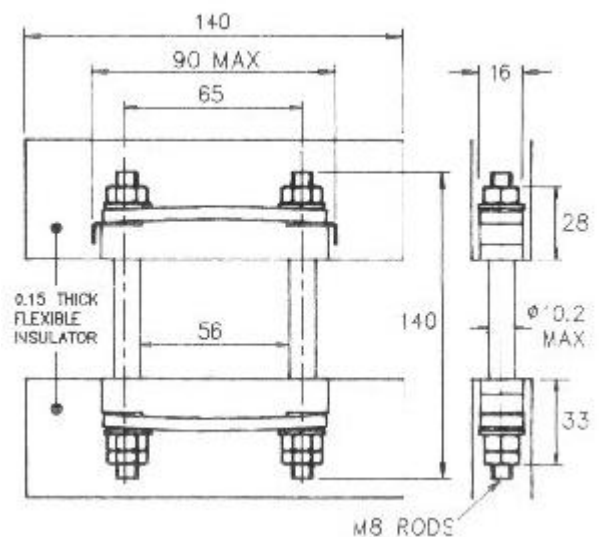


Device family	Clamp part number	Clamp Force	T _{JMAX}	Maximum allowed height	Outline
		kgf	°C	mm	
GTO Thyristors (S)	XK0550SA056M	550	190	49	WC4
KC Housing	XK0550DA056M			57	WC5

XK0550D/S



WC4 – SA Style



WC5 – DA Style