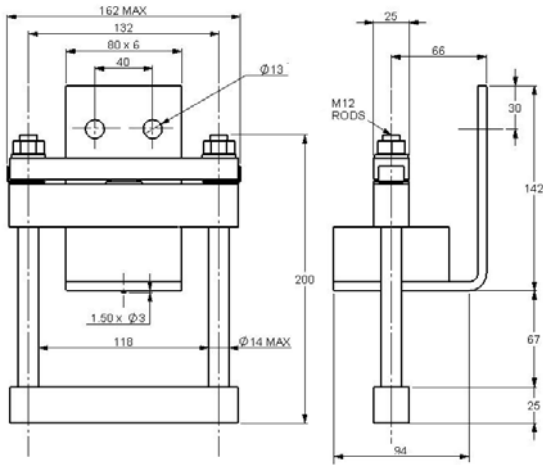


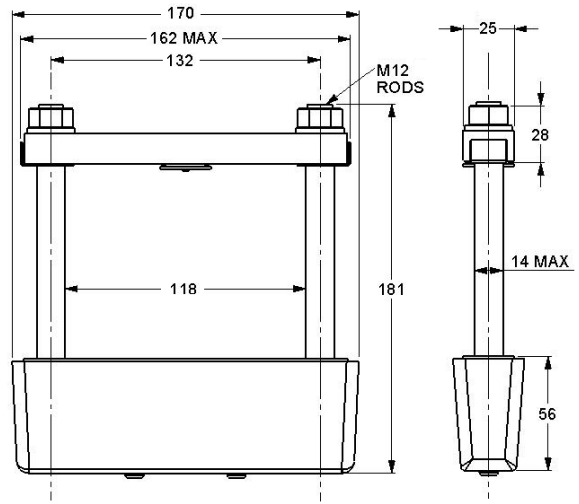
Weight 1240g

Device family	Clamp part number	clamp force	T_{JMAX}	Maximum allowed height	Outline
		kgf	°C	mm	
GTO Thyristors (G) TF Housing	XK3500SA116ML	3500	125	67	WC36
	XK3500DA116ML			97	WC37
	XSK3800Dx112M038	3800	190	38	WC61/WC63
	XSK3800Dx112M044			44	
	XSK3800Dx112M050			50	
	XSK3800Dx112M057			57	
	XSK3800Dx112M063			63	
	XSK3800Dx112M069			69	
	XSK3800Dx112M076			76	
	XSK3800Dx112M082			82	
	XSK3800Dx112M088			88	
	XSK3800Dx112M095			95	
	XSK3800Dx112M101			101	
	XSK3800Dx112M107			107	
	XSK3800Dx112M114			114	
	XSK3800Dx112M120			120	

XK3500S/DA116ML

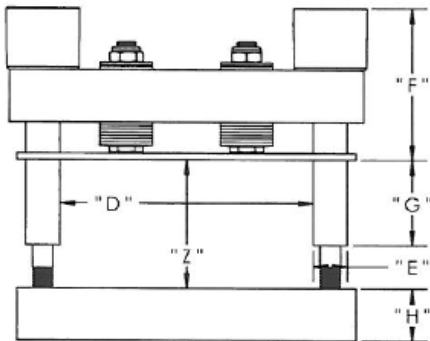
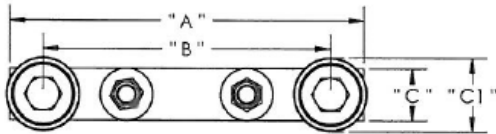


WC36 – SA Style

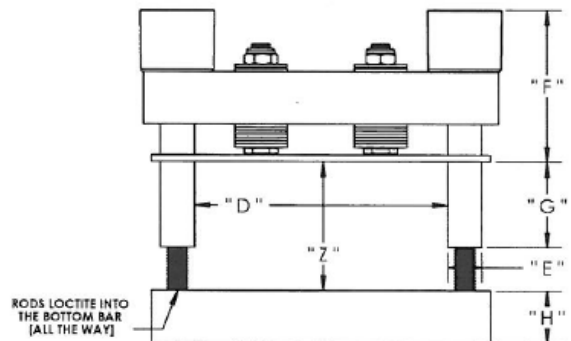
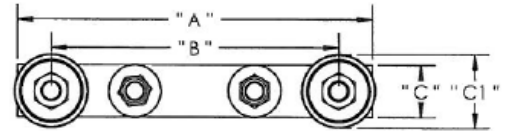


WC37 – DA Style

XSK3500Dx112



WC61 – DA Style



WC63 – DF Style

Dimensions (mm)

- A – 165.02
- B – 132.00
- C – 25.40
- C1 – 36.00
- D – 112.00
- H – 25.40

Force [kgf]	" E "	" F " (ref)	Bolt Type
2800	16.56	68.83	M10
3200	16.56	68.83	M10
3800	16.56	70.41	M10
4500	16.56	71.99	M10

Part #'s	" Z " min	" Z " max	" G " (ref)			
			02800	03200	03800	04500
XSK xxxxx xx 112 M 038	31.75	38.10	24.13	29.21	29.46	29.97
XSK xxxxx xx 112 M 044	38.10	44.45	27.17	32.25	32.51	33.02
XSK xxxxx xx 112 M 050	44.45	50.80	30.22	35.05	35.56	36.06
XSK xxxxx xx 112 M 057	50.80	57.15	33.27	38.10	38.60	39.11
XSK xxxxx xx 112 M 063	57.15	63.50	36.06	41.14	41.65	41.91
XSK xxxxx xx 112 M 069	63.50	69.85	39.00	44.19	44.70	44.95
XSK xxxxx xx 112 M 076	69.85	76.20	42.16	47.24	47.49	48.00
XSK xxxxx xx 112 M 082	76.20	82.55	45.21	50.29	50.54	51.05
XSK xxxxx xx 112 M 088	82.55	88.90	48.26	53.08	53.59	54.10
XSK xxxxx xx 112 M 095	88.90	95.25	51.05	56.13	56.64	56.89
XSK xxxxx xx 112 M 101	95.25	101.60	54.10	59.18	59.69	59.94
XSK xxxxx xx 112 M 107	101.60	107.95	57.15	62.23	62.48	62.99
XSK xxxxx xx 112 M 114	107.95	114.30	60.19	65.27	65.53	66.04
XSK xxxxx xx 112 M 120	114.30	120.65	63.24	68.07	68.58	69.08