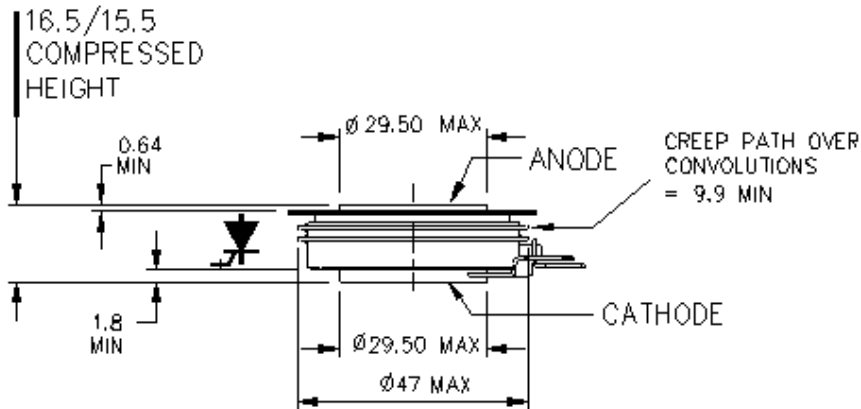
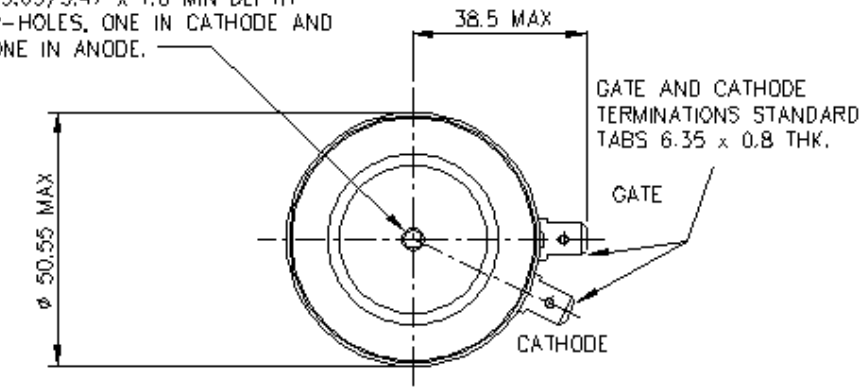




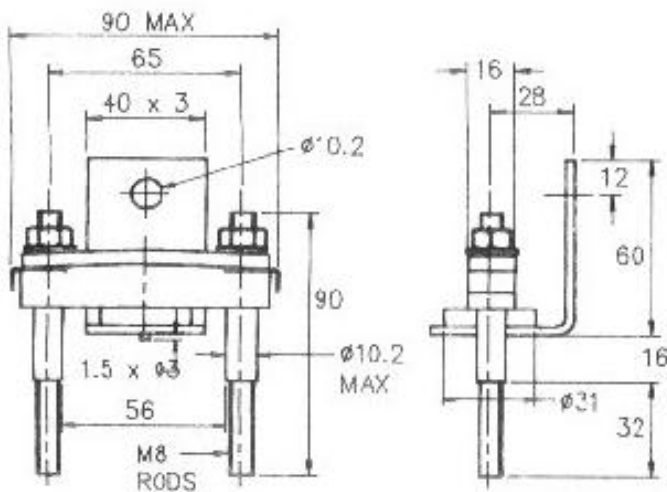
Ø3.63/3.47 x 1.8 MIN DEPTH  
2-HOLES, ONE IN CATHODE AND  
ONE IN ANODE.



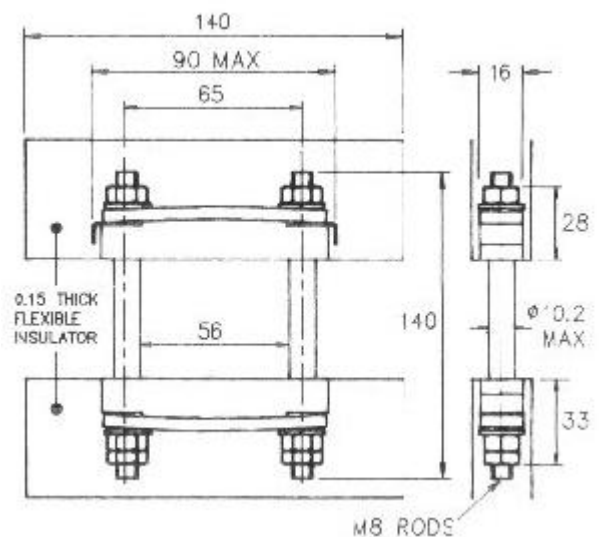
Weight 120g

Device family	Clamp part number	Clamp Force	T <sub>JMAX</sub>	Maximum allowed height	Outline
		kgf	°C	mm	
Pulse Thyristors (Y) and GTO Thyristors (H & S) KC Housing	XK0550SA056M	550	190	49	WC4
	XK0550DA056M			57	WC5

**XK0550D/S**



WC4 – SA Style



WC5 – DA Style