



RECTIFIERS

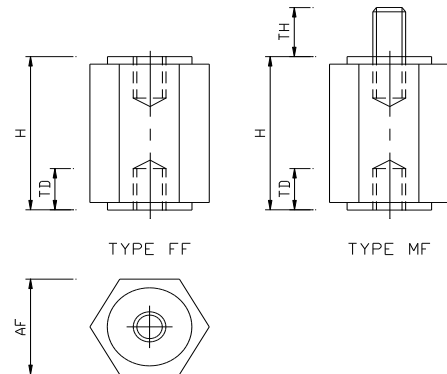
The Custom Power Specialist



Certificate No. 152
ISO 9001: 2000

New Range of Busbar supports & Fuse mounts

Hexagonal DMC Insulators with encapsulated M6-M8-M10 inserts.
Optional male studs also available.



Material. Red Glass fibre reinforced polyester DMC
Shatterproof, 160C Working, High Arc Resistance, UL94-Vo, Reduced Flamability.

M6

Product code	H	A/F	TD	TH	Threads
	mm	mm	Approx mm		
BBS-622MF20	22	20	6	13	M6M M6F
BBS-625FF20	25	20	8	-	M6F M6F
BBS-630FF20	30	20	8	-	M6F M6F
BBS-635FF20	35	20	8	-	M6F M6F
BBS-640FF20	40	20	13	-	M6F M6F
BBS-645FF20	45	20	13	-	M6F M6F
BBS-650FF20	50	20	13	-	M6F M6F
BBS-655FF20	55	20	13	-	M6F M6F
BBS-660FF20	60	20	13	-	M6F M6F
M6 Stud	Length				
MSTD630	30mm				
MSTD616	16mm				

M8

Product code	H	A/F	TD	TH	Threads
	mm	mm	Approx mm		
BBS-830FF25	30	25	10	-	M8F M8F
BBS-835FF20	35	20	10	-	M8F M8F
BBS-835FF25	35	25	10	-	M8F M8F
BBS-840FF25	40	25	13	-	M8F M8F
BBS-845FF25	45	25	13	-	M8F M8F
BBS-850FF20	50	20	13	-	M8F M8F
BBS-850FF25	50	25	13	-	M8F M8F
BBS-855FF25	55	25	13	-	M8F M8F
BBS-860FF20	60	20	13	-	M8F M8F
BBS-860FF25	60	25	13		M8F M8F
M8 Stud	Length				
MSTD830	30mm				
MSTD816	16mm				

M10

Product code	H	A/F	TD	TH	Threads
	mm	mm	Approx mm		
BBS-1030FF35	30	35	13	-	M10F M10F
BBS-1050FF35	50	35	13	-	M10F M10F
M10 Stud	Length				
MSTD1050	50mm				
MSTD1040	40mm				
MSTD1030	30mm				

Other sizes available on request.

All Insulators Listed above are in stock. We look forward to your enquiry.

GD Rectifiers Ltd. Bentley House, 2 William Way, Burgess Hill, West Sussex RH15 9AG.

Tel: 01444 243452 Fax: 01444 870722

E-Mail: enquiries@gdrectifiers.co.uk Web Site: www.gdrectifiers.co.uk