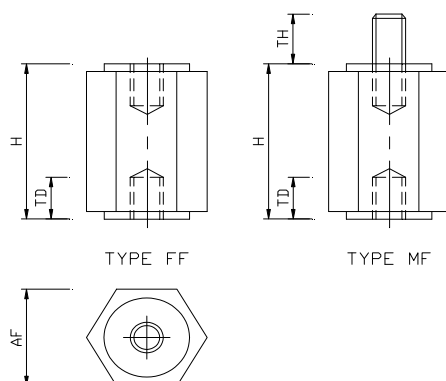
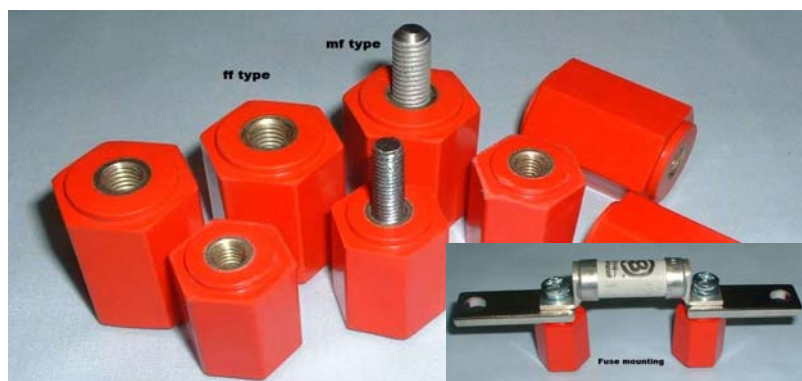


New Range of Busbar Supports & Fuse Mounts

Hexagonal DMC Insulators with encapsulated M6-M8-M10 inserts.
Optional male studs also available.



Material. Red Glass fibre reinforced polyester DMC. 160C Working.
Shatterproof, High Arc Resistance, Reduced Flammability UL94-Vo*, File E314972**,

M6

Product code	H	A/F	TD	TH	Threads
	mm	mm	Approx mm		
BBS-622MF20*	22	20	6	13	M6M M6F
BBS-625FF20*	25	20	8	-	M6F M6F
BBS-630FF20**	30	20	8	-	M6F M6F
BBS-635FF20**	35	20	8	-	M6F M6F
BBS-640FF20**	40	20	13	-	M6F M6F
BBS-645FF20**	45	20	13	-	M6F M6F
BBS-650FF20**	50	20	13	-	M6F M6F
BBS-655FF20**	55	20	13	-	M6F M6F
BBS-660FF20**	60	20	13	-	M6F M6F
M6 Stud	Length				
MSTD630	30mm				M6
MSTD616	16mm				M6

M8

Product code	H	A/F	TD	TH	Threads
	mm	mm	Approx mm		
BBS-830FF25**	30	25	10	-	M8F M8F
BBS-835FF20*	35	20	10	-	M8F M8F
BBS-835FF25**	35	25	10	-	M8F M8F
BBS-840FF25**	40	25	13	-	M8F M8F
BBS-845FF25**	45	25	13	-	M8F M8F
BBS-850FF20*	50	20	13	-	M8F M8F
BBS-850FF25**	50	25	13	-	M8F M8F
BBS-855FF25**	55	25	13	-	M8F M8F
BBS-860FF20*	60	20	13	-	M8F M8F
BBS-860FF25**	60	25	13	-	M8F M8F
M8 Stud	Length				
MSTD830	30mm				M8
MSTD816	16mm				M8

M10

Product code	H	A/F	TD	TH	Threads
	mm	mm	Approx mm		
BBS-1030FF35**	30	35	12	-	M10F M10F
BBS-1050FF35**	50	35	12	-	M10F M10F
M10 Stud	Length				
MSTD1050	50mm				M10
MSTD1040	40mm				M10
MSTD1030	30mm				M10

Other sizes available on request.

All Insulators listed above are generally in stock.

GD Rectifiers Ltd. Bentley House, 2 William Way, Burgess Hill, West Sussex RH15 9AG.

Tel: 01444 243452 Fax: 01444 870722 E-Mail: enquiries@gdrectifiers.co.uk