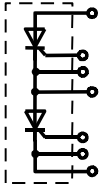
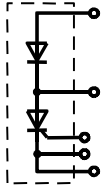
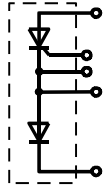


## Thyristor/Diode Modules M##160

### Absolute Maximum Ratings

$V_{RRM}$ $V_{DRM}$ [V]	 MCC	 MCD	 MDC
3000	160-30io3	160-30io3	160-30io3
3600	160-36io3	160-36io3	160-36io3

	VOLTAGE RATINGS	MAXIMUM LIMITS	UNITS
$V_{DRM}$	Repetitive peak off-state voltage <sup>1)</sup>	3000-3600	V
$V_{DSM}$	Non-repetitive peak off-state voltage <sup>1)</sup>	3100-3700	V
$V_{RRM}$	Repetitive peak reverse voltage <sup>1)</sup>	3000-3600	V
$V_{RSM}$	Non-repetitive peak reverse voltage <sup>1)</sup>	3100-3700	V

	OTHER RATINGS	MAXIMUM LIMITS	UNITS
$I_{T(AV)M}$	Maximum average on-state current, $T_C = 85^\circ\text{C}$ <sup>2)</sup>	170	A
$I_{T(AV)M}$	Maximum average on-state current, $T_C = 100^\circ\text{C}$ <sup>2)</sup>	120	A
$I_{T(RMS)M}$	Nominal RMS on-state current, $T_C = 55^\circ\text{C}$ <sup>2)</sup>	385	A
$I_{T(d.c.)}$	D.C. on-state current, $T_C = 55^\circ\text{C}$	325	A
$I_{TSM}$	Peak non-repetitive surge $t_p = 10$ ms, $V_{RM} = 60\%V_{RRM}$ <sup>3)</sup>	3.65	kA
$I_{TSM2}$	Peak non-repetitive surge $t_p = 10$ ms, $V_{RM} \leq 10$ V <sup>3)</sup>	4.00	kA
$I^2t$	$I^2t$ capacity for fusing $t_p = 10$ ms, $V_{RM} = 60\%V_{RRM}$ <sup>3)</sup>	66.6	$\text{kA}^2\text{s}$
$I^2t$	$I^2t$ capacity for fusing $t_p = 10$ ms, $V_{RM} \leq 10$ V <sup>3)</sup>	80.0	$\text{kA}^2\text{s}$
$(di/dt)_{cr}$	Critical rate of rise of on-state current (repetitive) <sup>4)</sup>	100	$\text{A}/\mu\text{s}$
$(di/dt)_{cr}$	Critical rate of rise of on-state current (non-repetitive) <sup>4)</sup>	200	$\text{A}/\mu\text{s}$
$V_{RGM}$	Peak reverse gate voltage	5	V
$P_{GM}$	Peak forward gate power	3	W
$V_{ISOL}$	Isolation Voltage <sup>5)</sup>	3000	V
$T_{vj\ op}$	Operating temperature range	-40 to +125	$^\circ\text{C}$
$T_{stg}$	Storage temperature range	-40 to +125	$^\circ\text{C}$

#### Notes:

- De-rating factor of 0.13% per  $^\circ\text{C}$  is applicable for  $T_{vj}$  below  $25^\circ\text{C}$ .
- Single phase; 50 Hz,  $180^\circ$  half-sinewave.
- Half-sinewave,  $125^\circ\text{C}$   $T_{vj}$  initial.
- $V_D = 67\% V_{DRM}$ ,  $I_{FG} = 2$  A,  $di_g/dt = 1\text{A}/\mu\text{s}$ ,  $T_C = 125^\circ\text{C}$ .
- AC RMS voltage, 50 Hz, 1min test

**Characteristics**

	PARAMETER	MIN.	TYP.	MAX.	TEST CONDITIONS <sup>1)</sup>	UNITS
V <sub>TM</sub>	Maximum peak on-state voltage	-	-	2.50	I <sub>TM</sub> = 785 A, T <sub>VJ</sub> = 25°C	V
V <sub>T0</sub>	Threshold voltage	-	-	1.20		V
r <sub>T</sub>	Slope resistance	-	-	2.30		mΩ
(dv/dt) <sub>cr</sub>	Critical rate of rise of off-state voltage	-	-	1000	V <sub>D</sub> = 80% V <sub>DRM</sub> , linear ramp, Gate o/c	V/μs
I <sub>DRM</sub>	Peak off-state current	-	-	50	Rated V <sub>DRM</sub>	mA
I <sub>RDM</sub>	Peak reverse current	-	-	50	Rated V <sub>RDM</sub>	mA
V <sub>GT</sub>	Gate trigger voltage	-	2.0	-	T <sub>VJ</sub> = 25°C, V <sub>D</sub> = 12 V, I <sub>T</sub> = 3 A	V
I <sub>GT</sub>	Gate trigger current	-	150	-		mA
V <sub>GD</sub>	Gate non-trigger voltage	-	0.25	-	67% V <sub>DRM</sub>	V
I <sub>L</sub>	Latching current	-	-	700	V <sub>D</sub> = 12 V, T <sub>VJ</sub> = 25°C	mA
I <sub>H</sub>	Holding current	-	-	300	V <sub>D</sub> = 12 V, T <sub>VJ</sub> = 25°C	mA
t <sub>gd</sub>	Gate controlled turn-on delay time	-	-	3.00	I <sub>FG</sub> = 2 A, t <sub>r</sub> = 500 μs, V <sub>D</sub> = 40%V <sub>DRM</sub> , I <sub>TM</sub> = I <sub>TAV</sub> , di/dt = 1 A/μs, T <sub>VJ</sub> = 25°C	μs
t <sub>q</sub>	Turn-off time	-	-	300	I <sub>TM</sub> = 150A, t <sub>p</sub> = 1 ms, di/dt = 10 A/μs, V <sub>R</sub> = 100 V, V <sub>DR</sub> = 67%V <sub>DRM</sub> , dv <sub>DR</sub> /dt = 50 V/μs	μs
R <sub>thJC</sub>	Thermal resistance, junction to case	-	0.1100	-	Single Arm	K/W
		-	0.0550	-	Whole Module	K/W
R <sub>thCH</sub>	Thermal resistance, case to heatsink	-	0.040	-	Single Arm	K/W
		-	0.020	-	Whole Module	K/W
F <sub>1</sub>	Mounting force (to heatsink)	-	6.00	-		Nm
F <sub>2</sub>	Mounting force (to terminals)	-	9.00	-	<sup>2)</sup>	Nm
W <sub>t</sub>	Weight	-	800	-		g

**Notes:**

- 1) Unless otherwise indicated T<sub>VJ</sub>=125°C.
- 2) Screws must be lubricated.

## Notes on Ratings and Characteristics

### 1.0 Voltage Grade Table

Voltage Grade	$V_{DRM}$ $V_{RRM}$ V	$V_{DSM}$ $V_{RSM}$ V	$V_D$ $V_R$ DC V
30	3000	3100	1750
36	3600	3700	1900

### 2.0 Extension of Voltage Grades

This report is applicable to other voltage grades when supply has been agreed by Sales/Production.

### 3.0 De-rating Factor

A blocking voltage de-rating factor of 0.13%/°C is applicable to this device for  $T_{vj}$  below 25°C.

### 4.0 Repetitive dv/dt

Standard dv/dt is 1000V/μs.

### 5.0 Snubber Components

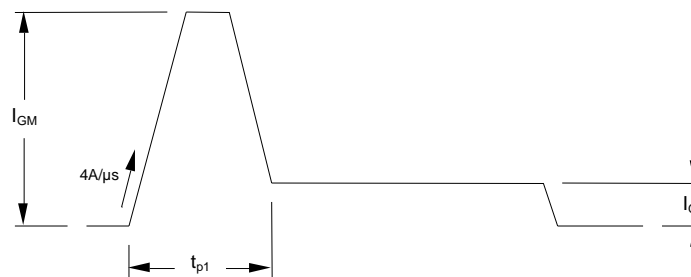
When selecting snubber components, care must be taken not to use excessively large values of snubber capacitor or excessively small values of snubber resistor. Such excessive component values may lead to device damage due to the large resultant values of snubber discharge current. If required, please consult the factory for assistance.

### 6.0 Rate of rise of on-state current

The maximum un-primed rate of rise of on-state current must not exceed 400A/μs at any time during turn-on on a non-repetitive basis. For repetitive performance, the on-state rate of rise of current must not exceed 200A/μs at any time during turn-on. Note that these values of rate of rise of current apply to the total device current including that from any local snubber network.

### 7.0 Gate Drive

The nominal requirement for a typical gate drive is illustrated below. An open circuit voltage of at least 30V is assumed. This gate drive must be applied when using the full di/dt capability of the device.



The magnitude of  $I_{GM}$  should be between five and ten times  $I_{GT}$ , which is shown on page 2. Its duration ( $t_{p1}$ ) should be 20μs or sufficient to allow the anode current to reach ten times  $I_L$ , whichever is greater. Otherwise, an increase in pulse current could be needed to supply the necessary charge to trigger. The 'back-porch' current  $I_G$  should remain flowing for the same duration as the anode current and have a magnitude in the order of 1.5 times  $I_{GT}$ .

## 8.0 Computer Modelling Parameters

### 8.1 Thyristor Dissipation Calculations

$$I_{AV} = \frac{-V_{T0} + \sqrt{V_{T0}^2 + 4 \cdot ff^2 \cdot r_T \cdot W_{AV}}}{2 \cdot ff^2 \cdot r_T} \quad \text{and:} \quad W_{AV} = \frac{\Delta T}{R_{th}}$$

$$\Delta T = T_{j\max} - T_C$$

Where  $V_{T0} = 1.2 \text{ V}$ ,  $r_T = 2.30 \text{ m}\Omega$ .

$R_{th}$  = Supplementary thermal impedance, see table below and

$ff$  = Form factor, see table below.

Supplementary Thermal Impedance							
Conduction Angle	30°	60°	90°	120°	180°	270°	d.c.
Square wave	3.46	2.45	2	1.73	1.41	1.15	1
Sine wave	3.98	2.78	2.22	1.88	1.57		

Form Factors							
Conduction Angle	30°	60°	90°	120°	180°	270°	d.c.
Square wave	3.464	2.449	2	1.732	1.414	1.149	1
Sine wave	3.98	2.778	2.22	1.879	1.57		

### 8.2 D.C. Thermal Impedance Calculation

$$r_t = \sum_{p=1}^{p=n} r_p \cdot \left( 1 - e^{-\frac{t}{\tau_p}} \right)$$

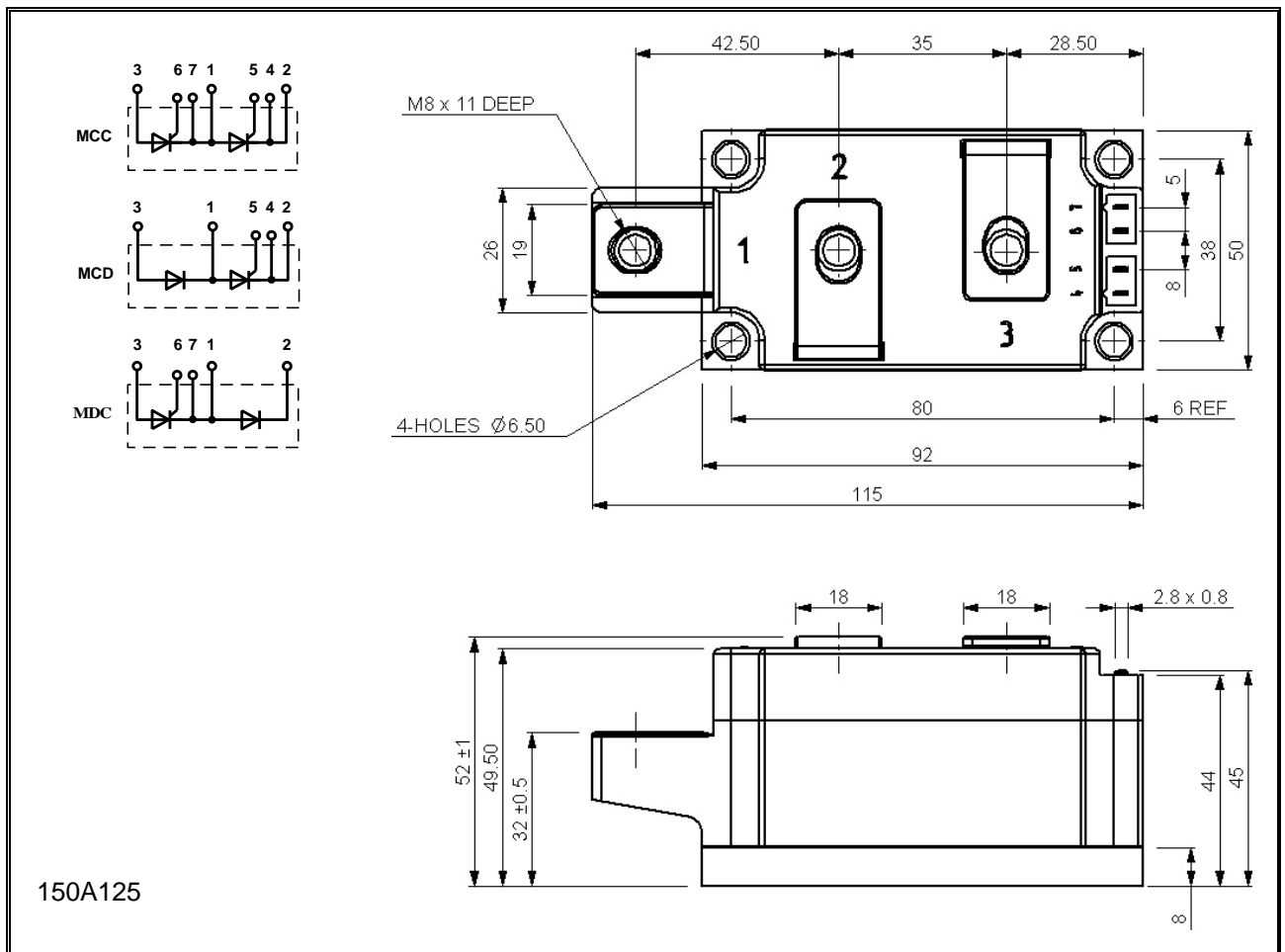
Where  $p = 1$  to  $n$  and:

- $n$  = number of terms in the series
- $t$  = Duration of heating pulse in seconds
- $r_t$  = Thermal resistance at time  $t$
- $r_p$  = Amplitude of  $p_{th}$  term
- $\tau_p$  = Time Constant of  $r_{th}$  term

The coefficients for this device are shown in the table below:

D.C.						
Term	1	2	3	4	5	6
$r_p$	0.1293	0.01314	0.02771	-0.05535	0.0528	0.002749
$\tau_p$	2.823	1.393	0.3322	0.0611	0.05731	0.002713

**Outline Drawing & Ordering Information**



150A125

**ORDERING INFORMATION**

(Please quote 11 digit code as below)

<b>M</b>	<b>##</b>	<b>160</b>	<b>◆◆</b>	<b>io</b>	<b>3</b>
Fixed Type Code	Configuration code CC, CD or DC	Fixed Type Code	Voltage code V <sub>RRM</sub> /100 30-36	i = Critical dv/dt 1000 V/μs o = Typical turn-off time	Fixed Version Code

Typical order code: MCD160-30io2– MCD configuration, 3000V V<sub>RRM</sub>

**IXYS Semiconductor GmbH**  
Edisonstraße 15  
D-68623 Lampertheim  
Tel: +49 6206 503-0  
Fax: +49 6206 503-627  
E-mail: [marcom@ixys.de](mailto:marcom@ixys.de)



**IXYS UK Westcode Ltd**  
Langley Park Way, Langley Park,  
Chippenham, Wiltshire, SN15 1GE.  
Tel: +44 (0)1249 444524  
Fax: +44 (0)1249 659448  
E-mail: [sales@ixysuk.com](mailto:sales@ixysuk.com)

**IXYS Corporation**  
1590 Buckeye Drive  
Milpitas CA 95035-7418  
Tel: +1 (408) 547 9000  
Fax: +1 (408) 496 0670  
E-mail: [sales@ixys.net](mailto:sales@ixys.net)

[www.ixysuk.com](http://www.ixysuk.com)

[www.ixys.com](http://www.ixys.com)

**IXYS Long Beach, Inc**  
IXYS Long Beach, Inc  
2500 Mira Mar Ave, Long Beach  
CA 90815  
Tel: +1 (562) 296 6584  
Fax: +1 (562) 296 6585  
E-mail: [service@ixyslongbeach.com](mailto:service@ixyslongbeach.com)

The information contained herein is confidential and is protected by Copyright. The information may not be used or disclosed except with the written permission of and in the manner permitted by the proprietors IXYS UK Westcode Ltd.

© IXYS UK Westcode Ltd.

In the interest of product improvement, IXYS UK Westcode Ltd reserves the right to change specifications at any time without prior notice.

Devices with a suffix code (2-letter, 3-letter or letter/digit/letter combination) added to their generic code are not necessarily subject to the conditions and limits contained in this report.