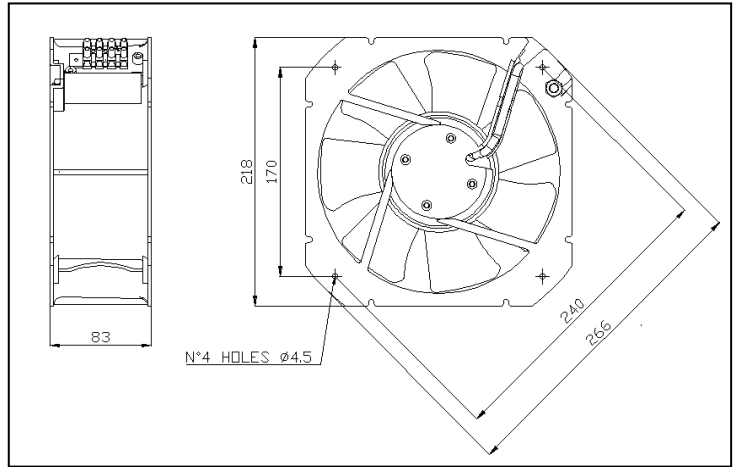




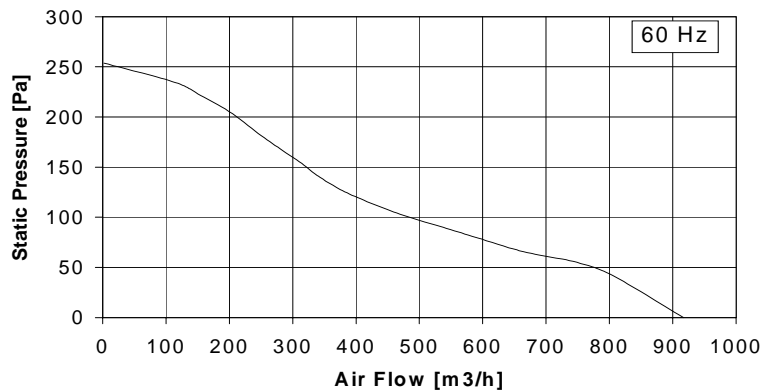
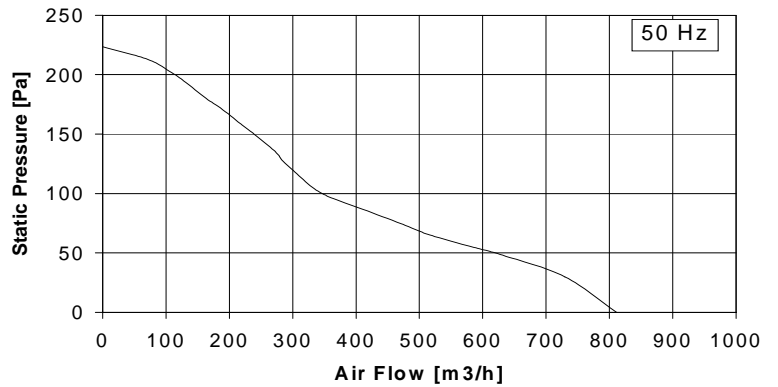
DRAWING



FEATURES

- Fan casing of aluminium alloy die casting and glass fibre reinforced plastic (PA 6/6) impeller.
- Capacitor run external rotor thermally protected against running overload.
- Electrical connection via terminal block 3 pins (L-N-PE).
No 2 holes for M4 thread on the casing for earth connection.
- Rated temperature range:
Ball bearing from -40°C to +70°C
- Service life L10:
Ball bearing 40,000 hours at 40°C
20,000 hours at t max
- Weight 1910g.

AIR FLOW CURVES



Please refer to our terms of sales including our warranty and limited liabilities clauses.

Model	Rated Voltage [V]	Frequency [Hz]	Input Power [W]	Speed [rpm]	Air Flow [m3/h]	Static Pressure [Pa]	Noise [dB(A)]	Approvals		
								UL	CUL	cCSAus
C22S12HKBD00	115	50/60	60/75	2435/2630	812/917	224/254	61.0/63.0			★
C22S23HKBD00	230	50/60	70/85	2480/2650	812/917	224/254	61.0/63.0			★
C22S40HKBD00	400	50/60	71/93	2745/3075	1040/1160	265/300	65.0/67.0			